

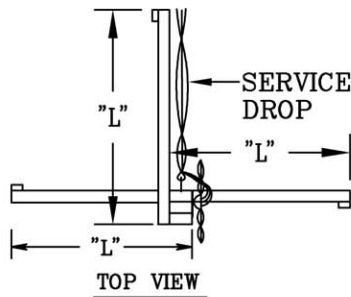
Secondary Service Drop Attachment
on Temporary Structure for Construction

SKETCH #4

SKETCH #4

SHEET 4

SHEET 4



NOTE:
DIMENSION "L" SHALL NOT BE LESS THAN 1/2 OF DIMENSION "H", NOR GREATER THAN "H". "H" SHALL BE 8 FEET MINIMUM.

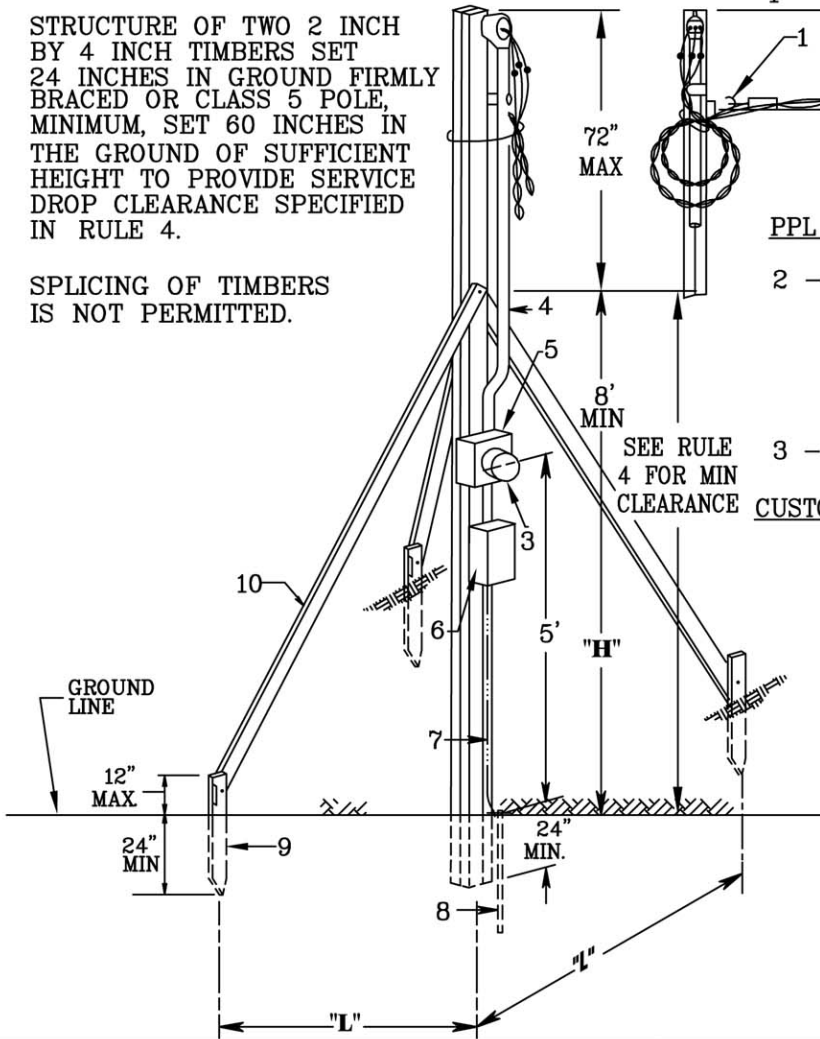
CUSTOMER SHALL INSTALL STRUCTURE AT A LOCATION DESIGNATED BY PPL. THE STRUCTURE SHALL BE ACCESSIBLE TO PPL BUCKET TRUCKS.

PPL FURNISHES, MAINTAINS;
CUSTOMER INSTALLS:

- 1 - SERVICE BRACKET, SEE RULE 4.

STRUCTURE OF TWO 2 INCH BY 4 INCH TIMBERS SET 24 INCHES IN GROUND FIRMLY BRACED OR CLASS 5 POLE, MINIMUM, SET 60 INCHES IN THE GROUND OF SUFFICIENT HEIGHT TO PROVIDE SERVICE DROP CLEARANCE SPECIFIED IN RULE 4.

SPLICING OF TIMBERS IS NOT PERMITTED.



PPL FURNISHES, MAINTAINS, INSTALLS:

- 2 - SERVICE DROP OF SUFFICIENT LENGTH TO REACH THE PERMANENT SERVICE LOCATION AND MAKES CONNECTION TO CUSTOMER'S SERVICE ENTRANCE CONDUCTORS. MAXIMUM TENSION - 400 LBS.

- 3 - METER.

CUSTOMER FURNISHES, INSTALLS, MAINTAINS:

- 4 - SERVICE ENTRANCE CONDUCTORS.
- 5 - METER BASE OR METER BASE/BREAKER COMBINATION. SEE TABLE 1 - APPROVED METER SERVICE DEVICES.
- 6 - SERVICE DISCONNECT EQUIPMENT, IF SEPARATE.
- 7 - SERVICE GROUND.
- 8 - GROUND ROD
- 9 - 2"x4"x36" STAKES (3 REQUIRED)
- 10 - 2"x4" BRACES (3 REQUIRED)

RULES FOR ELECTRIC METER AND SERVICE INSTALLATIONS
PPL ELECTRIC UTILITIES CORPORATION

Rules: 4, 5

REMSI_S004_R2.dwg

Date: 11/04/04 **Engr:** RGR