

Overhead Service Drop Attachment to
Customer-Owned Service & Meter Pole
Mounting for Instrument Transformers and
Connection of Overhead Service Drop to
Underground Service Entrance Conductors
3 Phase, 3 Wire, 480 V

**NOT FOR NEW CONSTRUCTION AFTER 5/1/2006
FOR TEMPORARY SERVICE.**

CUSTOMER FURNISHES, INSTALLS, MAINTAINS:

- 1 - UNDERGROUND SERVICE ENTRANCE CONDUCTORS. SEE RULE 6.
- 2 - 1-1/4 INCH MINIMUM THREADED, GALVANIZED, RIGID STEEL OR SCHEDULE 40 PVC CONDUIT AND FITTINGS BETWEEN INSTRUMENT TRANSFORMERS AND METER BASE.
- 3 - GROUND CLAMPS.
- 4 - SERVICE GROUND MUST BE SIZED & PROTECTED PER NEC ARTICLE 250 - GROUNDING.
- 5 - GUYING WHEN REQUIRED TO OFFSET PULL OF PPL'S SERVICE DROP.
- 6 - WOOD POLE (CLASS 5 MIN., SEE SKETCH #47) OR EQUIVALENT.

PPL FURNISHES, MAINTAINS:
CUSTOMER INSTALLS:

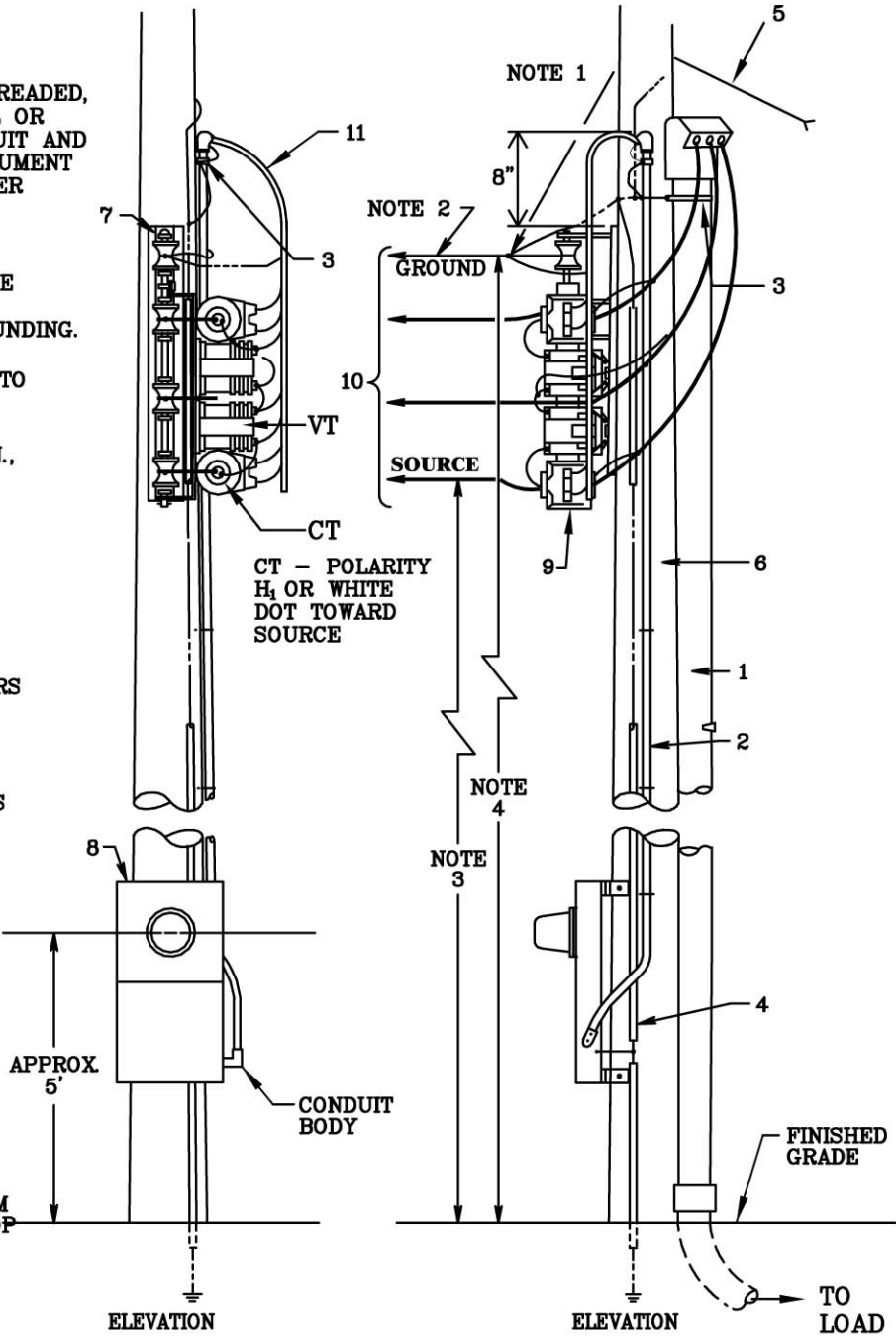
- 7 - ANCHOR BOLTS AND SERVICE RACK.
- 8 - METER PANEL.
- 9 - INSTRUMENT TRANSFORMERS AND MOUNTING

PPL FURNISHES, INSTALLS, MAINTAINS:

- 10 - SERVICE DROP AND MAKES CONNECTION TO CUSTOMER'S SERVICE ENTRANCE CONDUCTORS. MAXIMUM TENSION PER CONDUCTOR - 800 LBS.
- 11 - WIRING BETWEEN INSTRUMENT TRANSFORMERS AND METER BASE.

NOTES:

- 1 - PPL MAKES GROUNDING CONNECTION FOR METAL CONDUIT.
- 2 - OVERHEAD GROUND WIRE RULE 5(i).
- 3 - SEE RULE 4 FOR MINIMUM HEIGHT AND SERVICE DROP CLEARANCE.
- 4 - 22 FEET MAXIMUM.



RULES FOR ELECTRIC METER AND SERVICE
INSTALLATIONS
**PPL ELECTRIC UTILITIES
CORPORATION**

Rules: 4, 5, 6, 15
Date: 03/06/06 **Engr:** RPV
REFERENCE PICTURE C
REMSL_S013_R1.dwg