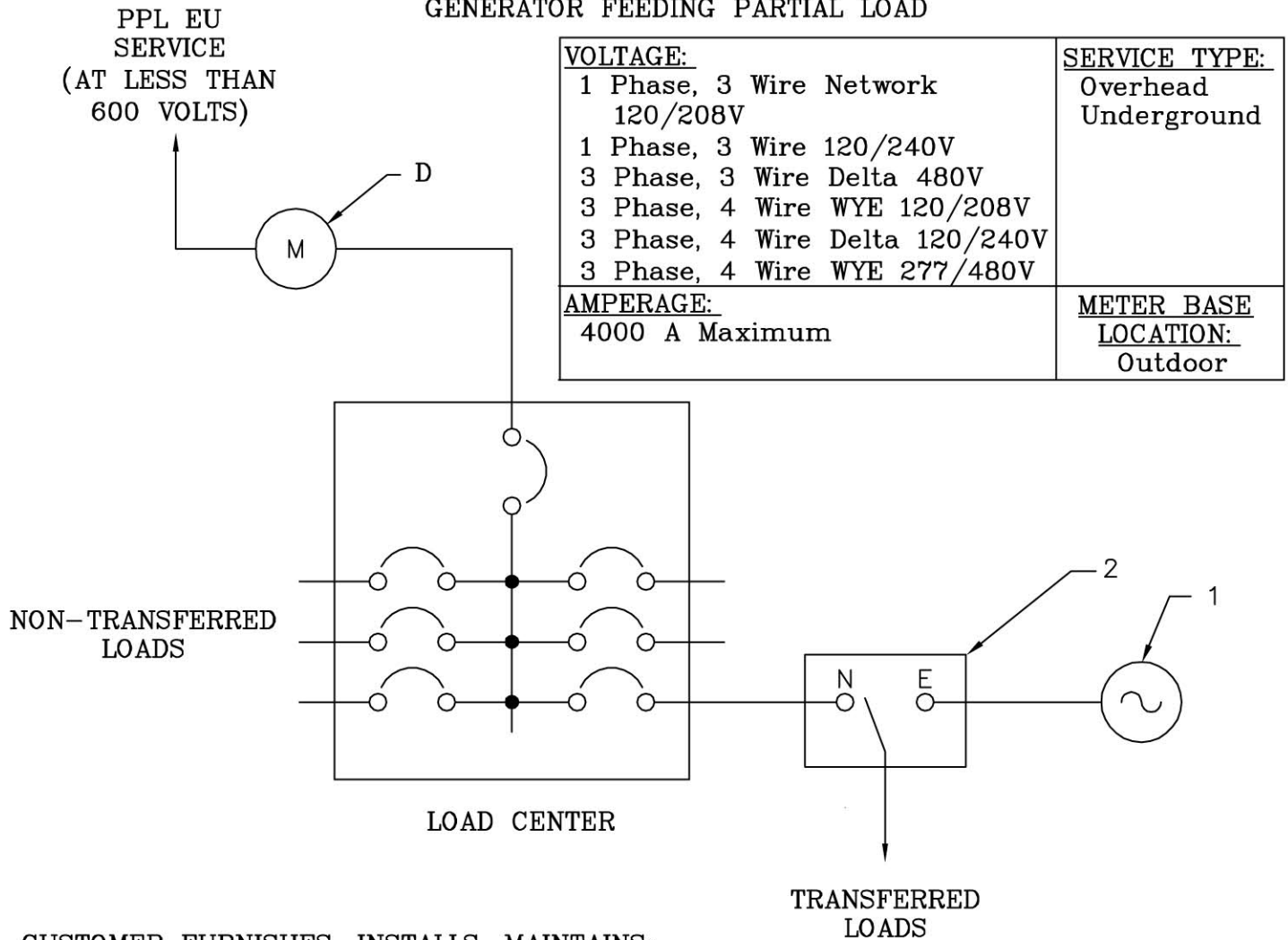


GENERATOR FEEDING PARTIAL LOAD



CUSTOMER FURNISHES, INSTALLS, MAINTAINS:

1. EMERGENCY STANDBY GENERATOR MAY HAVE INTEGRAL OVERCURRENT PROTECTION
2. MANUAL DOUBLE THROW SWITCH (BREAK-BEFORE-MAKE) APPROPRIATELY SIZED FOR THIS APPLICATION. (N STANDS FOR NORMAL, E STANDS FOR EMERGENCY).

NOTE:

- A. INSTALLATION AND EQUIPMENT MUST ADHERE TO REQUIREMENTS OF THE NATIONAL ELECTRICAL CODE (NEC).
- B. INDEPENDENT ELECTRICAL INSPECTION OF MANUAL DOUBLE THROW TRANSFER SWITCH MAY BE REQUIRED BY NEC OR ANY OTHER APPLICABLE CODE.
- C. PPL EU WILL INSTALL PERMANENT LABELING ON THE METER BASE (PPL EU CATALOG #1012171) AND PAD MOUNT TRANSFORMER (#1012171) OR POLE MOUNT TRANSFORMER (#1013816) UPON RECEIPT OF INSPECTION.
- D. METERING EQUIPMENT-SEE APPROPRIATE SKETCH FOR SERVICE TYPE AND SIZE TO DETERMINE METERING RESPONSIBILITIES.