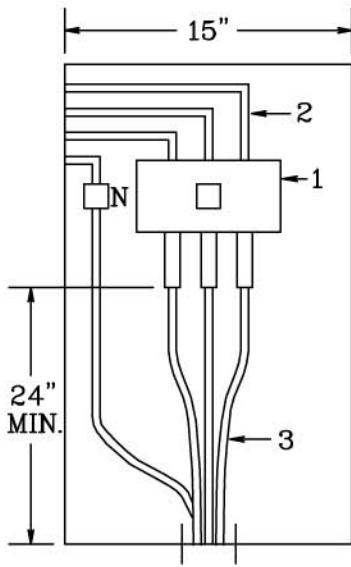


Termination Cabinet - All Service Entries
 Single Phase or Three Phase
 120/208V, 120/240V, or 277/480V
 One Cable Set

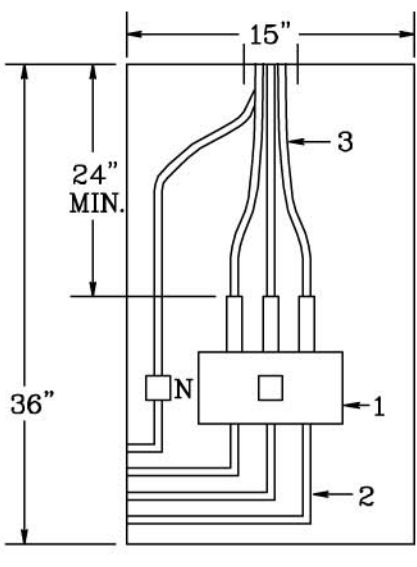
SKETCH #54A
 SHEET 54A

SKETCH #54A
 SHEET 54A

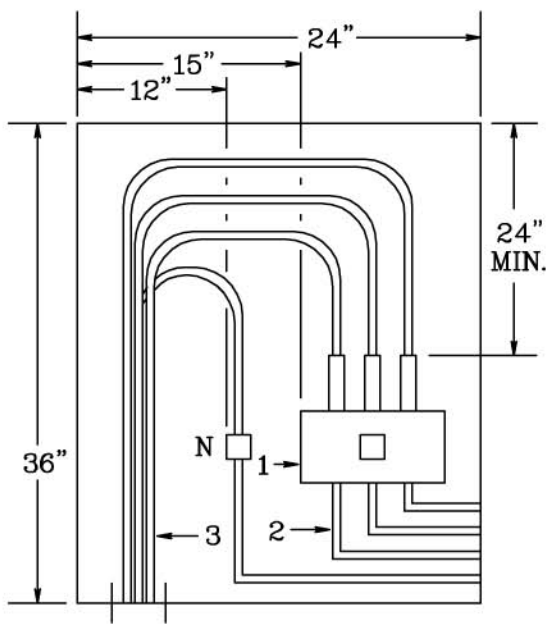
NOT TO SCALE



BOTTOM ENTRY
 BOTTOM TERMINALS



TOP ENTRY
 TOP TERMINALS



BOTTOM ENTRY
 TOP TERMINALS

1. CUSTOMER MAIN DISCONNECT OR TERMINAL BLOCK - SUITABLE FOR 750 KCMIL CABLE
2. CUSTOMER BUS OR CABLES SHALL NOT INTERFERE WITH PPL EU CABLES & MUST MEET MINIMUM BENDING RADIUS REQUIREMENTS AS DESCRIBED IN NEC ARTICLE 300 - WIRING METHODS.
3. PPL EU SERVICE CABLES

NOTES:

A. TERMINATION CABINETS SHALL:

- BE CONSTRUCTED OF GALVANNEALED STEEL OR EQUIVALENT - MINIMUM #16 GAUGE STEEL
- HAVE A HASP WHICH WILL ACCOMMODATE AT LEAST 1/4 INCH DIAMETER LOCK
- BE WEATHER RESISTANT, RAIN-TIGHT, AND TAMPER-PROOF IF INSTALLED OUTDOORS
- HAVE SETSCREW TYPE TERMINALS ACCEPTING UP TO 750 KCMIL CABLE. IF COMPRESSION TYPE CABLE-TO-FLAT CONNECTORS SUPPLIED, THE LUGS FOR PPL EU MUST SHOW THE BURNDY DIE INDEX. TERMINAL CLEARANCE: MINIMUM PHASE-TO-PHASE - 2 INCHES. MINIMUM PHASE-TO-GROUND - 1 INCH.

B. WIRES TO PPL EU TERMINALS AND WIRES TO CUSTOMER'S TERMINALS SHALL NOT INTERFERE WITH PPL EU CABLES & MUST MEET MINIMUM BENDING RADIUS REQUIREMENTS AS DESCRIBED IN NEC ARTICLE 300 - WIRING METHODS.

C. STRAIGHT IN ENTRY TO TERMINALS IS PREFERRED METHOD OF SERVICE.

D. THESE DIMENSIONS ALSO APPLY TO DISCONNECTS PROVIDED WITH MULTI-GANG METERING MODULES.

RULES FOR ELECTRIC METER AND SERVICE INSTALLATIONS
PPL ELECTRIC UTILITIES CORPORATION

Rules: 2, 5, 6, 12, 13, 15, 16, 21
Date: 8/12/11 **Engr:** MDB
 REMSL_S054A.dwg