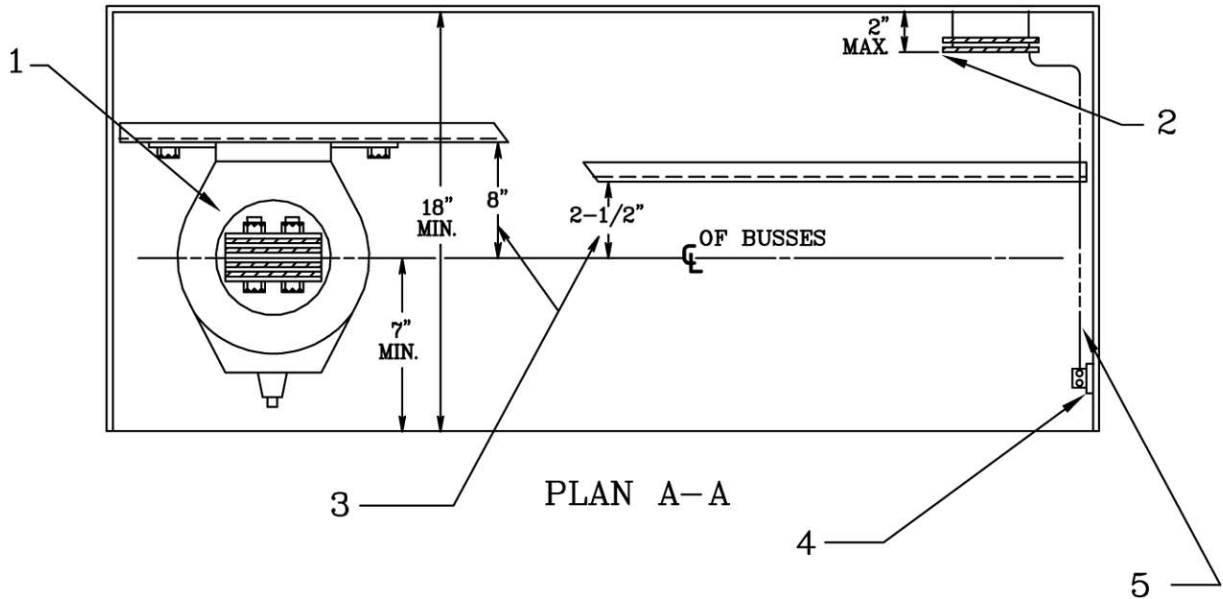


Typical Arrangement of Instrument Transformers in  
Switchgear Cubicle  
3 Phase, 4 Wire, 208Y/120 V or  
3 Phase, 4 Wire, Delta 240/120 V



1. 400 TO 4000 AMPERE CURRENT TRANSFORMER.
2. GROUNDED NEUTRAL BUS.
3. SUPPORT ADJUSTABLE FROM 2-1/2 INCHES MIN. TO 8 INCHES MAX.
4. TERMINAL BLOCK BY CUSTOMER FOR METERING GROUND INSULATED FROM CUBICLE BLOCK TO ACCOMMODATE 2-#6 & 5-#10 STRANDED COPPER CONDUCTORS.
5. GROUND WIRE BY CUSTOMER 600V COVERED COPPER, #6 AWG MIN. CONNECTED BETWEEN NEUTRAL BUS & TERMINAL BLOCK.

\*REFERENCE CRS 6-19-100

RULES FOR ELECTRIC METER AND SERVICE  
INSTALLATIONS  
**PPL ELECTRIC UTILITIES  
CORPORATION**

**Rules:** 5, 15

REMSI\_S021P1.dwg

**Date:** 6/24/09 **Engr:** MDB

