

CUSTOMER FURNISHES, INSTALLS, MAINTAINS:

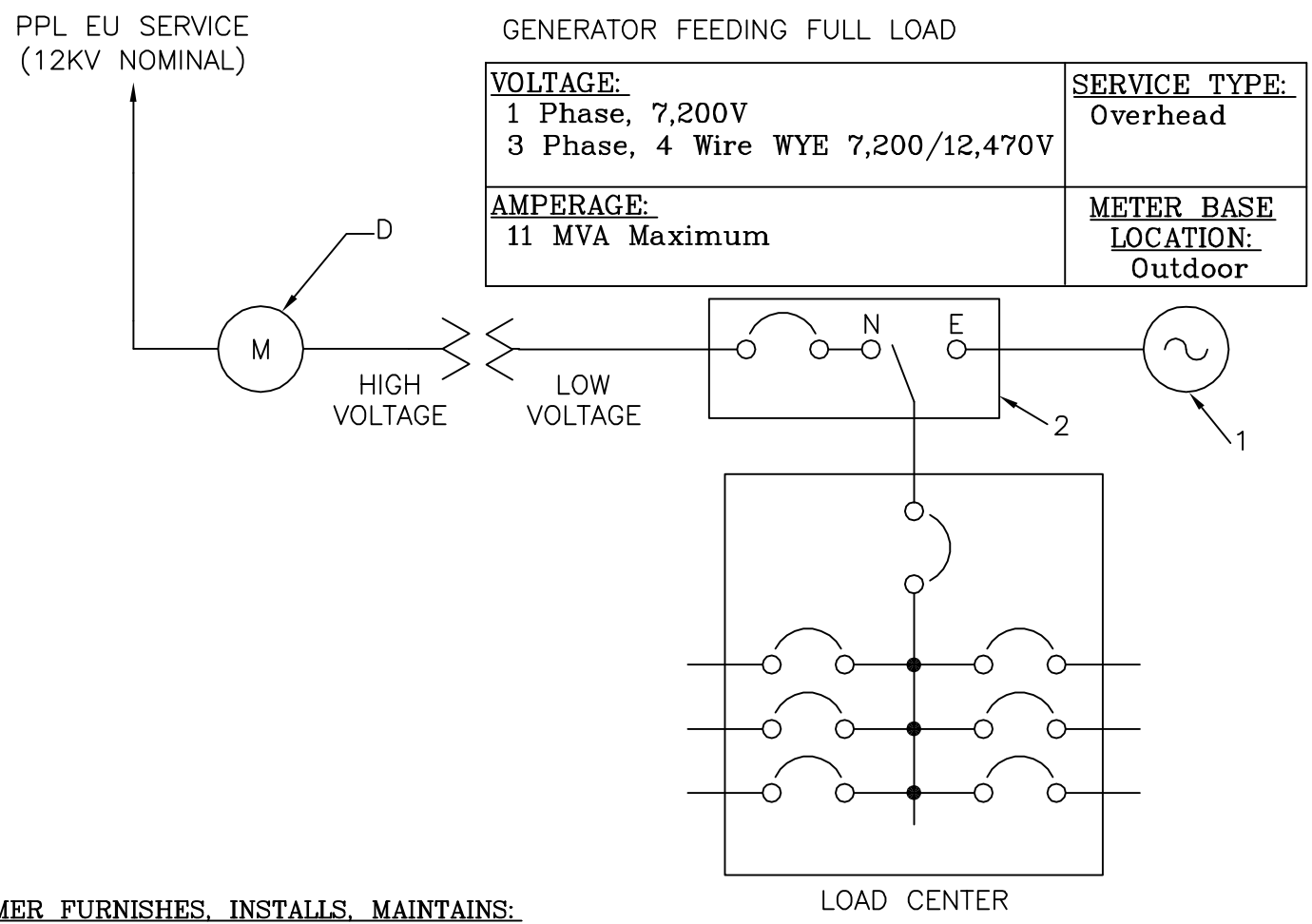
1. EMERGENCY STANDBY GENERATOR MAY HAVE INTEGRAL OVERCURRENT PROTECTION.
2. MANUAL DOUBLE THROW SWITCH (BREAK-BEFORE-MAKE) APPROPRIATELY SIZED FOR THIS APPLICATION. (N STANDS FOR NORMAL, E STANDS FOR EMERGENCY).

NOTES:

- A. INSTALLATION AND EQUIPMENT MUST ADHERE TO REQUIREMENTS OF THE NATIONAL ELECTRICAL CODE (NEC).
- B. INDEPENDENT ELECTRICAL INSPECTION OF MANUAL DOUBLE THROW TRANSFER SWITCH MAY BE REQUIRED BY THE NEC OR ANY OTHER APPLICABLE CODE.
- C. SEE REMSI SKETCH #30, SKETCH #31, SKETCH #33, SKETCH #34.
- D. PPL EU WILL INSTALL PERMANENT LABELING ON THE METER PANEL (PPL EU CATALOG #1012171) AND PAD MOUNT TRANSFORMER (#1012171) OR POLE MOUNT TRANSFORMER (#1013816) UPON RECEIPT OF INSPECTION.
- E. METERING EQUIPMENT-SEE APPROPRIATE SKETCH FOR SERVICE TYPE AND SIZE TO DETERMINE METERING RESPONSIBILITIES.

REFERENCE: SKETCH #30, SKETCH #31, SKETCH #33, SKETCH #34

Manual Transfer Switch  
Connection for Emergency (Stand-By)  
Generating Service



CUSOMER FURNISHES, INSTALLS, MAINTAINS:

1. EMERGENCY STANDBY GENERATOR MAY HAVE INTEGRAL OVERCURRENT PROTECTION.
2. BREAKER AND MANUAL TRANSFER SWITCH (BREAK-BEFORE-MAKE) APPROPRIATELY SIZED FOR THE APPLICATION. (N STANDS FOR NORMAL, E STANDS FOR EMERGENCY).

NOTES:

- A. INSTALLATION AND EQUIPMENT MUST ADHERE TO REQUIREMENTS OF THE NATIONAL ELECTRICAL CODE (NEC).
- B. PPL EU REQUIRES AN INDEPENDENT ELECTRICAL INSPECTION OF MANUAL DOUBLE THROW TRANSFER SWITCH.
- C. THE INSPECTOR IS REQUIRED TO VERIFY THE OPERATION OF THE MANUAL DOUBLE THROW SWITCH WITHOUT LOAD.
- D. SEE REMSI SKETCH #30, SKETCH #31, SKETCH #33, SKETCH #34.
- E. PPL EU WILL INSTALL PERMANENT LABELING ON THE METER BASE (PPL EU CATALOG #1012171) AND PAD MOUNT TRANSFORMER (#1012171) OR POLE MOUNT TRANSFORMER (#1013816) UPON RECEIPT OF INSPECTION.
- F. METERING EQUIPMENT-SEE APPROPRIATE SKETCH FOR SERVICE TYPE AND SIZE TO DETERMINE METERING RESPONSIBILITIES.

REFERENCE: SKETCH #30, SKETCH #31, SKETCH #33, SKETCH #34