

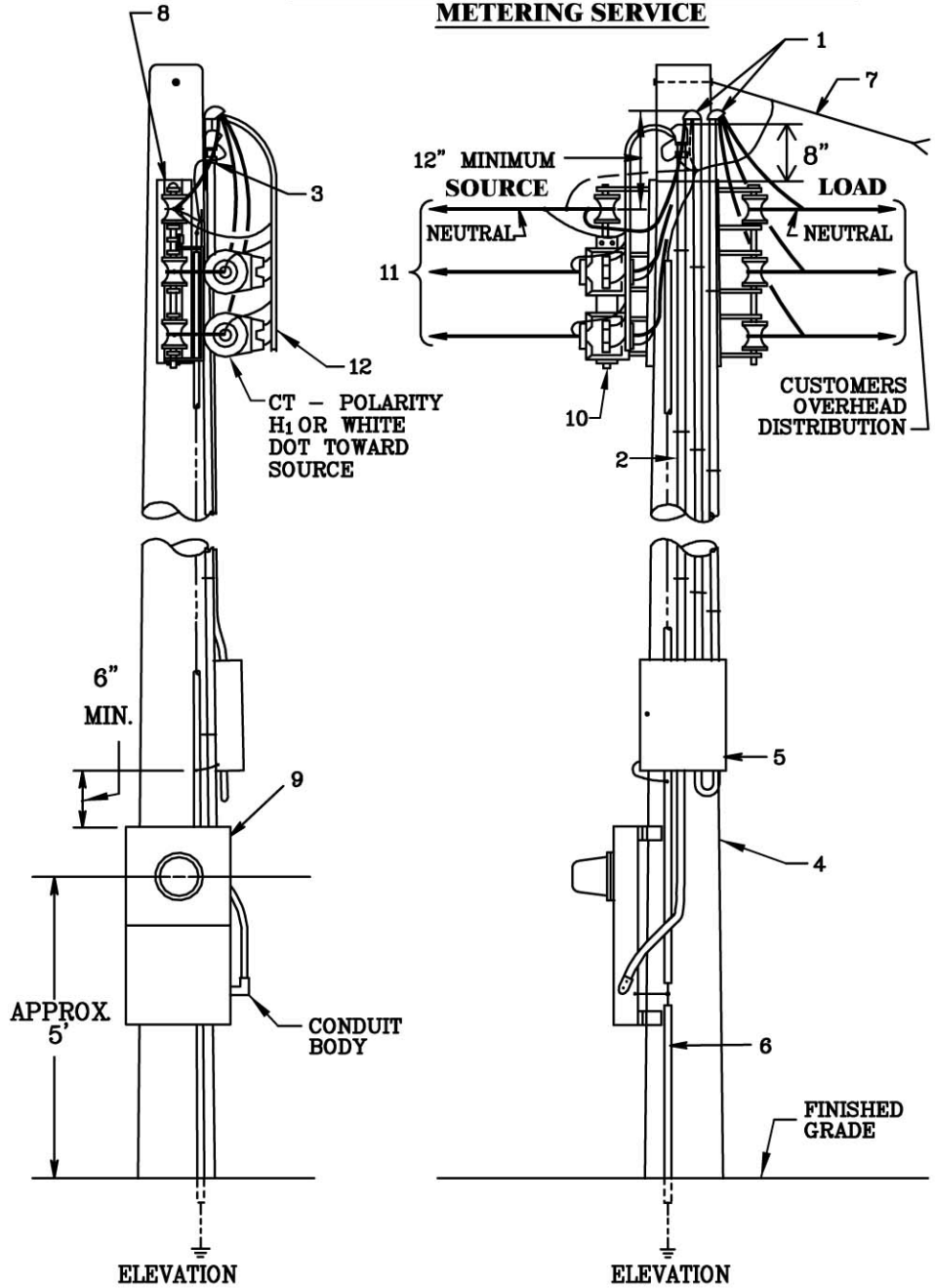
SKETCH #10A
SHEET 10AP1

Service Drop Attachment and Instrument Transformer
Mounting on Customer-Owned Service and Meter Pole
Overhead Service to Overhead Distribution
Single Phase, 3 Wire, 120/208 V or
3 Wire 120/240 V Service Over 600 A
Instrument Transformer Metering

SKETCH #10A
SHEET 10AP1

**NOT FOR NEW CONSTRUCTION AFTER 5/1/2006
FOR TEMPORARY SERVICE.**

**REQUIRED APPROVAL FROM SUPERVISOR
METERING SERVICE**



RULES FOR ELECTRIC METER AND SERVICE
INSTALLATIONS
PPL ELECTRIC UTILITIES
CORPORATION

Rules: 4, 4A, 5, 15

REMSL_S010AP1_R1.dwg

Date: 8/13/07 Engr: MDB

