

High Voltage UG Supply from OH  
 30 to 2500 KVA Delivered at Secondary Voltage  
 Typical Layout of UG Conduit & Transformer Vault  
 Installed by Customer for Company Electrical Facilities

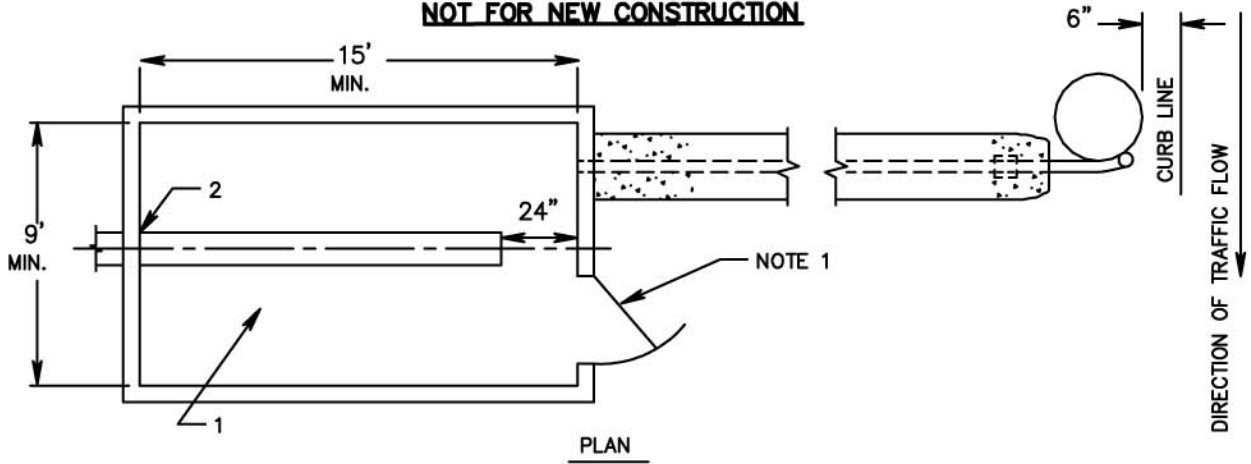
SKETCH #38

SHEET 38

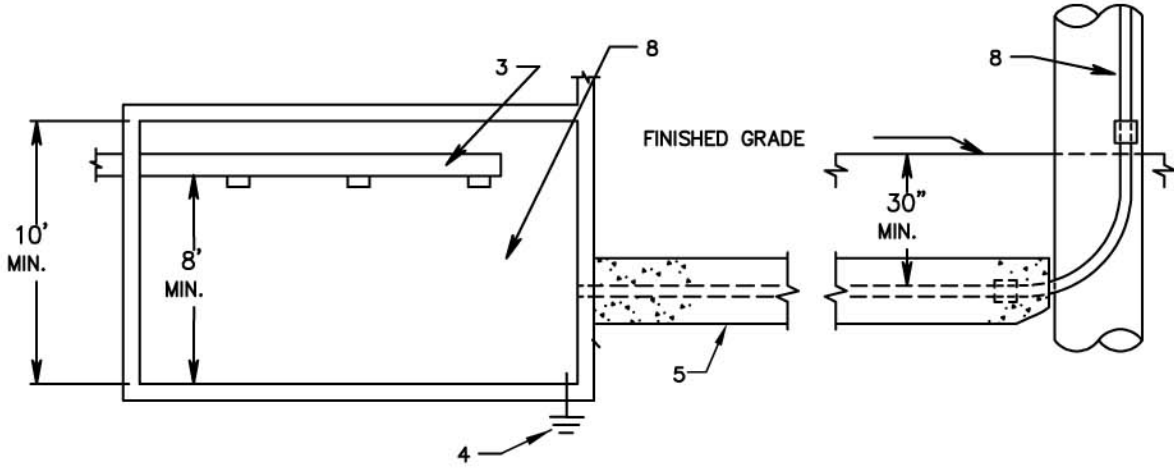
SKETCH #38

SHEET 38

**NOT FOR NEW CONSTRUCTION**



PLAN



ELEVATION

**CUSTOMER FURNISHES. INSTALLS/MAINTAINS:**

- 1 - VAULT INCLUDING THE DOOR, LIGHTING SYSTEM, PROPER DRAINS, SCREENED VENTILATION OPENINGS AND REMOVABLE BARRIER.
- 2 - DUCT SEAL.
- 3 - SERVICE ENTRANCE BUS OR CABLES IN A TROUGH AND PROVIDES TERMINALS ON SERVICE ENTRANCE CONDUCTORS.
- 4 - VAULT GROUNDING SYSTEM PER CRS 6-17-163, SHEET 3.

**CUSTOMER FURNISHES/INSTALLS:**

- 5 - UNDERGROUND CONDUIT TO VAULT INCLUDING ELBOW AT BASE OF POLE. PPL EU SPECIFIES LOCATION AND FURNISHES CONSTRUCTION DRAWINGS OF CONDUIT FOR EACH LOCATION, UPON COMPLETION, OWNERSHIP OF ALL PHYSICAL FACILITIES INSTALLED BY CUSTOMER OUTSIDE OF BUILDING AND VAULT SHALL VEST IN PPL EU

**PPL EU FURNISHES/ MAINTAINS. CUSTOMER INSTALLS:**

- 6 - INSTRUMENT TRANSFORMERS.
- 7 - METER MOUNTING (PPL EU DESIGNATES LOCATION OUTSIDE OF VAULT).

**PPL EU FURNISHES. INSTALLS/MAINTAINS:**

- 8 - ALL ELECTRIC FACILITIES, INCLUDING TERMINAL POLE AND CONDUIT ON POLE.
- 9 - LEADS FROM TRANSFORMERS.

**NOTES:**

- 1 - 4 FOOT BY 7 FOOT MINIMUM SIZE DOOR OPENING TO ACCESS AREA SUITABLE FOR USE BY PPL EU TRUCKS OR MOBILE CRANES.

\*REFERENCES: CRS 6-17-163, CRS 6-15-180

**RULES FOR ELECTRIC METER AND SERVICE INSTALLATIONS**  
**PPL ELECTRIC UTILITIES CORPORATION**

**Rules: 9**

**Date: 8/18/06 Engr: MDB**

REMSI\_S038.dwg