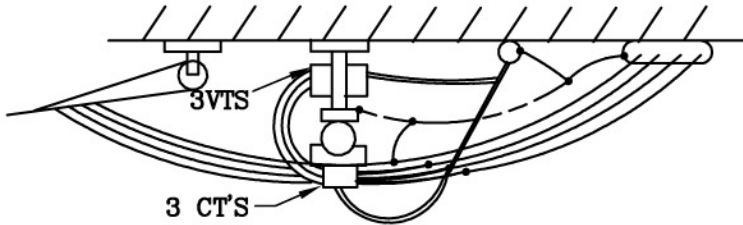
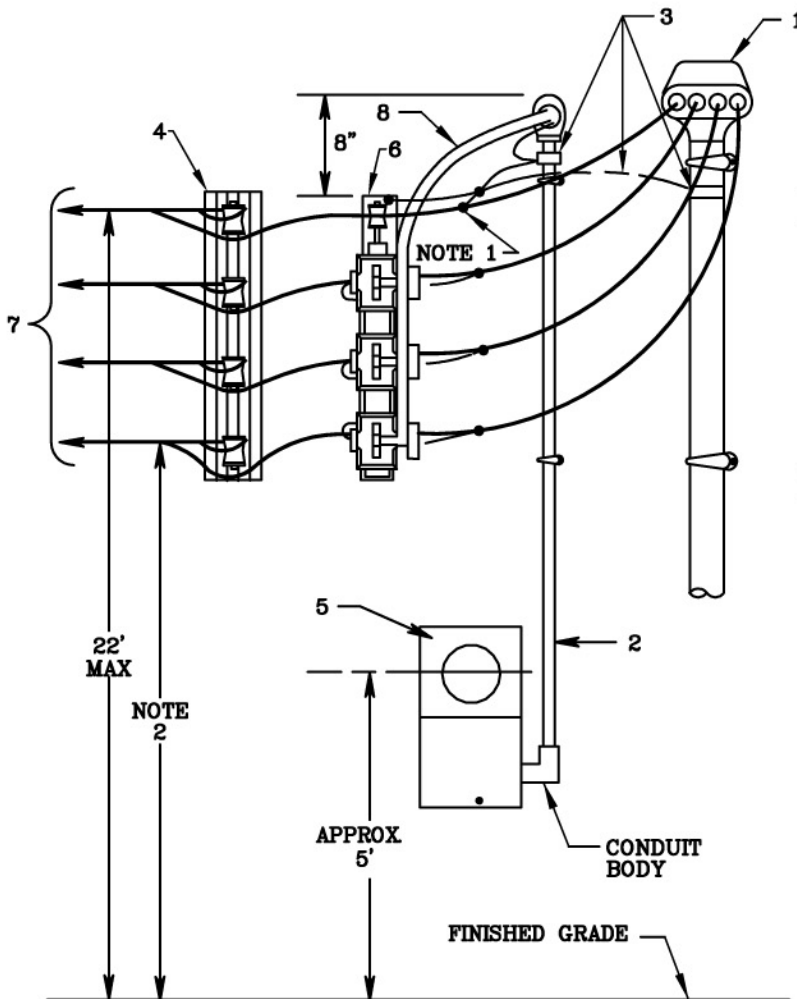


REQUIRES APPROVAL FROM SUPERVISOR - METERING SERVICES



TOP VIEW



**CUSTOMER FURNISHES.
INSTALLS. MAINTAINS:**

1. SERVICE ENTRANCE
SEE RULE 5.
2. 1-1/4 INCH MINIMUM,
THREADED GALVANIZED RIGID,
INTERMEDIATE STEEL, OR SCHEDULE
40 PVC CONDUIT AND FITTINGS
BETWEEN INSTRUMENT
TRANSFORMERS AND METER
PANEL
3. GROUND CLAMPS AND WIRE.

**PPL EU FURNISHES. MAINTAINS:
CUSTOMER INSTALLS:**

4. SERVICE RACKS AND BRACKETS.
5. METER PANEL AT
LOCATION DESIGNATED
BY PPL EU. SEE SKETCH 8C.
6. INSTRUMENT TRANSFORMERS AND
MOUNTING.

**PPL EU FURNISHES. INSTALLS.
MAINTAINS:**

7. SERVICE DROP AND MAKES
CONNECTION TO CUSTOMER'S
SERVICE ENTRANCE CONDUCTORS.
MAXIMUM TENSION PER CONDUCTOR -
800 LBS.
8. WIRING BETWEEN INSTRUMENT
TRANSFORMERS AND METER
PANEL

NOTES:

- A. PPL EU MAKES GROUNDING
CONNECTION FOR METAL
CONDUIT.
- B. SEE RULE 4 FOR MINIMUM
HEIGHT AND SERVICE DROP
CLEARANCE.

REFERENCE: PICTURE D

REMSL_S029B.dwg

**RULES FOR ELECTRIC METER AND SERVICE
INSTALLATIONS
PPL ELECTRIC UTILITIES
CORPORATION**

Rules: 4, 5, 13, 15

Date: 10/9/06 Engr: MDB