

Overhead Secondary Service Drop Attachment
to Customer-Owned Service and Meter Pole for
Underground Distribution Single or Three Phase, 240 V Max
Self-Contained Meter

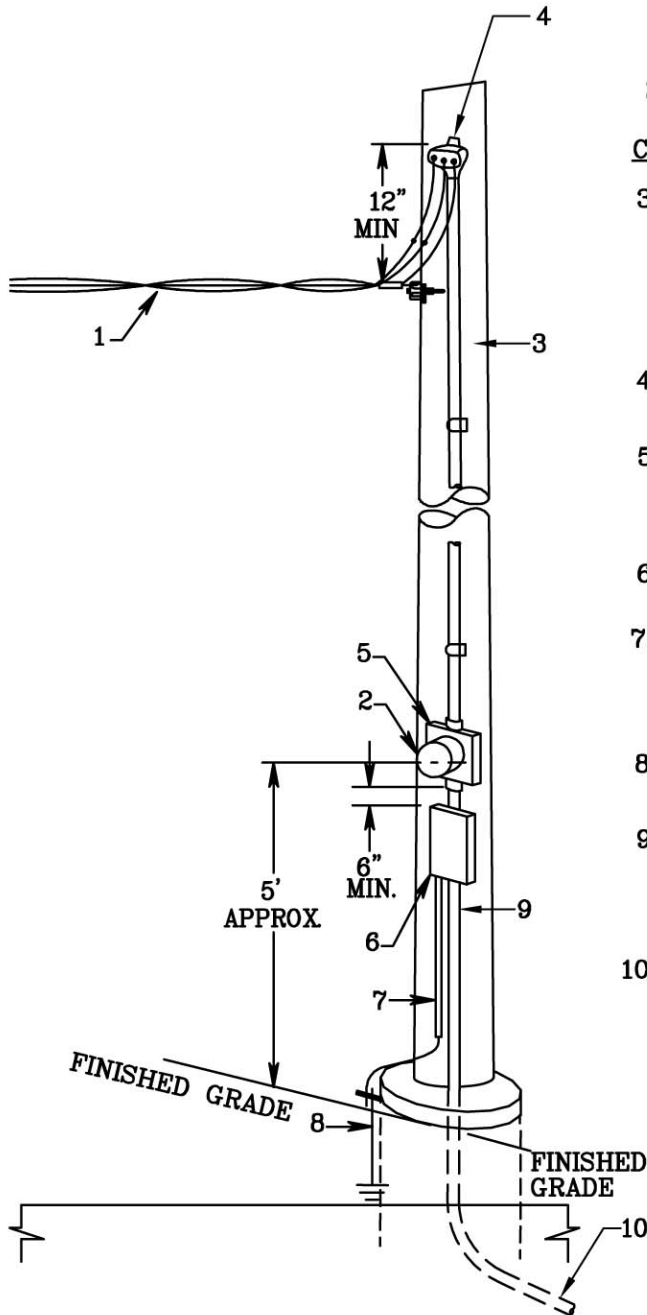
600 Amperes Maximum

PPL EU FURNISHES, INSTALLS, MAINTAINS:

1. SERVICE DROP AND MAKES CONNECTION TO CUSTOMER'S SERVICE ENTRANCE CONDUCTORS. MAXIMUM TENSION - 700 LBS.
2. METER.

CUSTOMER FURNISHES, INSTALLS, MAINTAINS:

3. WOOD POLE (CLASS 5 MINIMUM OR EQUIVALENT - SEE SKETCH #47) AND ANY GUYS NEEDED TO OFFSET PULL OF PPL EU'S SERVICE DROP OR CUSTOMER'S OVERHEAD DISTRIBUTION WIRES.
4. SERVICE ENTRANCE CONDUCTORS, SEE RULE 5.
5. METER BASE: SEE APPROVED METER SERVICE DEVICES - TABLE 1 FOR SINGLE PHASE AND TABLE 3 FOR THREE PHASE.
6. SERVICE DISCONNECT EQUIPMENT.
7. SERVICE GROUND - PROTECT GROUND WIRE WITH MOLDING OR USE ARMORED GROUND CABLE SIZED PER NEC ARTICLE 250 - GROUNDING.
8. GROUND CLAMP AND WIRE PPL EU CONNECTS TO NEUTRAL
9. 3 INCH MINIMUM THREADED GALVANIZED RIGID OR INTERMEDIATE STEEL CONDUIT; SCHEDULE 80 PVC CONDUIT ABOVE GRADE.
10. CUSTOMER'S UNDERGROUND SERVICE ENTRANCE CONDUCTORS IN RIGID OR INTERMEDIATE GALVANIZED STEEL CONDUIT SCHEDULE 40 PVC CONDUIT, OR DIRECTLY BURIED USING CABLE SUITABLE FOR THE PURPOSE. SEE RULE 6.



NOTES:

- A. SEE RULE 4 AND 4A FOR CLEARANCES.

VOID