

SKETCH #8
SHEET 8

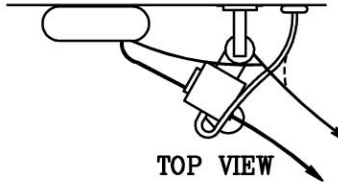
Service Drop Attachment and Instrument Transformer
Mounting on Customer's Building
for Instrument Transformer Metering
Single Phase, 3 Wire, 120/208 V or 120/240 V
3 Phase, 4 Wire,
208Y/120V or 3 Phase, 4 Wire, Delta 240/120 V
For Service Over 600 A

SKETCH #8
SHEET 8

CUSTOMER FURNISHES, INSTALLS, MAINTAINS:

1. SERVICE ENTRANCE, SEE RULE 5.
2. 1-1/4 INCH MINIMUM CONDUIT AND FITTINGS BETWEEN INSTRUMENT TRANSFORMERS AND METER PANEL. SEE SKETCH 8C.
3. GROUND CLAMPS

REQUIRES APPROVAL FROM SUPERVISOR-METERING SERVICES.



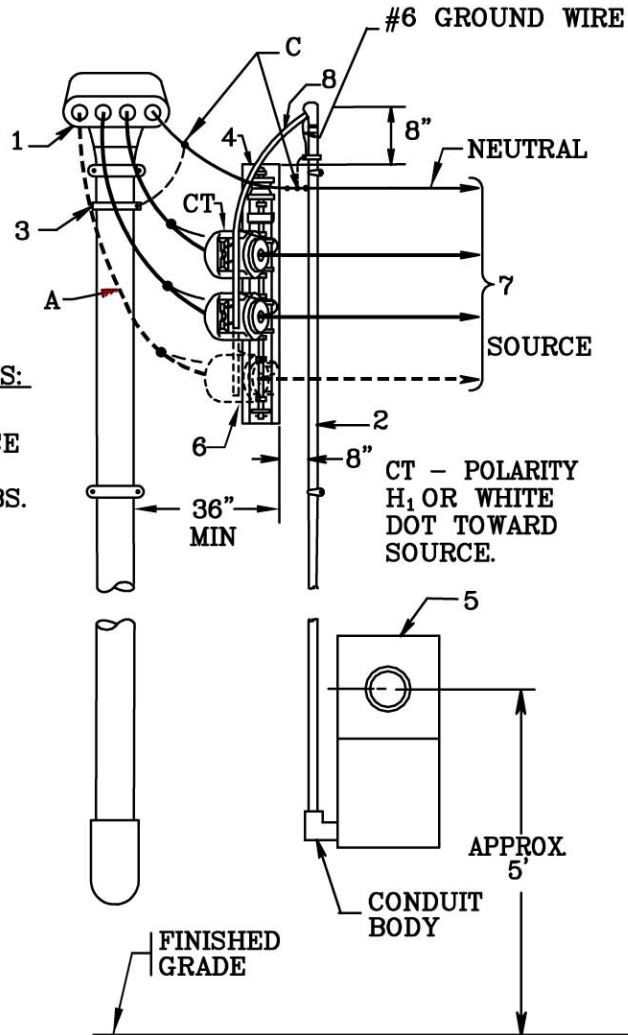
NOT FOR NEW CONSTRUCTION AFTER 5/1/2006.

PPL EU FURNISHES, MAINTAINS:
CUSTOMER INSTALLS:

4. SERVICE RACK OR BRACKET.
5. METER PANEL - LOCATION DESIGNATED BY PPL EU SEE SKETCH 8C.
6. INSTRUMENT TRANSFORMERS & MOUNTING

PPL EU FURNISHES, INSTALLS, MAINTAINS:

7. SERVICE DROP AND MAKES CONNECTION TO CUSTOMER'S SERVICE ENTRANCE CONDUCTORS. MAXIMUM TENSION PER CONDUCTOR - 800 LBS.
8. WIRING BETWEEN INSTRUMENT TRANSFORMERS AND METER PANEL.



NOTES:

- A. THIS CONDUCTOR OF A 3 PHASE, 4 WIRE DELTA CONNECTED SERVICE SHALL HAVE THE HIGHER VOLTAGE TO GROUND AND BE IDENTIFIED. SEE RULE 5 (H).
- B. SEE RULE 4 AND 4A CLEARANCE.
- C. PPL EU MAKES GROUNDING CONNECTION FOR METAL CONDUIT.

REFERENCE: PICTURE A, SKETCH 8C

RULES FOR ELECTRIC METER AND SERVICE INSTALLATIONS
PPL ELECTRIC UTILITIES CORPORATION

Rules: 4, 4A, 5, 15

REMSL_S008.dwg

Date: 8/17/07 **Engr:** MDB