

SKETCH #10  
SHEET 10

Service Drop Attachment & Instrument Transformer  
Mounting on Customer-Owned Service & Meter Pole  
Overhead Service to Overhead Distribution  
3 Phase, 4 Wire, 208Y/120 V or  
3 Phase, 4 Wire, Delta 240/120 V  
Instrument Transformer Metering for Services Over 600 A

SKETCH #10  
SHEET 10

**CUSTOMER FURNISHES, INSTALLS, MAINTAINS:**

- 1 - OVERHEAD DISTRIBUTION CONDUCTORS.
- 2 - 1-1/4 INCH MINIMUM THREADED, GALVANIZED, RIGID STEEL OR SCHEDULE 40 PVC CONDUIT AND FITTINGS BETWEEN INSTRUMENT TRANSFORMERS AND METER BASE.
- 3 - GROUND CLAMP.
- 4 - WOOD POLE (CLASS 5 MIN., SEE SKETCH #47) OR EQUIVALENT.
- 5 - SERVICE GROUND MUST BE SIZED & PROTECTED PER NEC ARTICLE 250 - GROUNDING.
- 6 - GUYING WHEN REQUIRED TO OFFSET PULL OF PPL'S SERVICE DROP OR CUSTOMER'S OVERHEAD DISTRIBUTION WIRES.

**NOT FOR NEW CONSTRUCTION AFTER 5/1/2006 FOR TEMPORARY SERVICE.**

**PPL FURNISHES, MAINTAINS:**  
**CUSTOMER INSTALLS:**

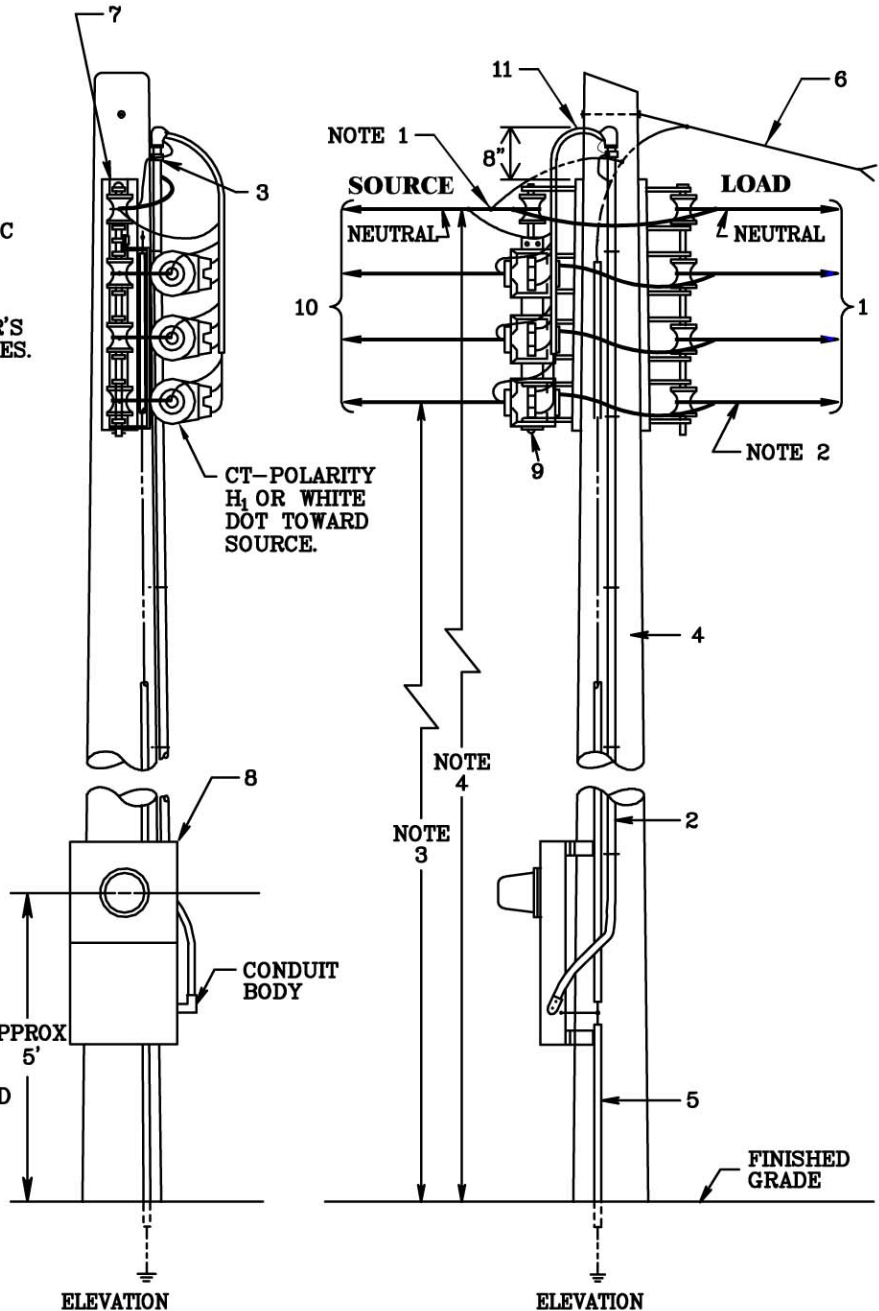
- 7 - ANCHOR BOLTS AND SERVICE RACK.
- 8 - METER PANEL.
- 9 - INSTRUMENT TRANSFORMERS AND MOUNTING

**PPL FURNISHES, INSTALLS, MAINTAINS:**

- 10 - SERVICE DROP AND MAKES CONNECTION TO CUSTOMER'S SERVICE ENTRANCE CONDUCTORS. MAXIMUM TENSION PER CONDUCTOR - 800 LBS.
- 11 - WIRING BETWEEN INSTRUMENT TRANSFORMERS AND METER BASE.

**NOTES:**

- 1 - PPL MAKES GROUNDING CONNECTION FOR METAL CONDUIT.
- 2 - THIS CONDUCTOR OF A 3 PHASE, 4 WIRE DELTA SERVICE SHALL HAVE THE HIGHER VOLTAGE TO GROUND & BE IDENTIFIED. SEE RULE 5(h).
- 3 - SEE RULE 4 FOR MINIMUM HEIGHT AND SERVICE DROP CLEARANCES.
- 4 - 22 FEET MAXIMUM.



RULES FOR ELECTRIC METER AND SERVICE  
INSTALLATIONS  
**PPL ELECTRIC UTILITIES  
CORPORATION**

**Rules:** 4, 5, 15  
**Date:** 03/06/06 **Engr:** RGR  
REMSL\_S010\_R1.dwg