

**Secondary Service
Meter Base Connections for Self-Contained Meters**

SKETCH #25C

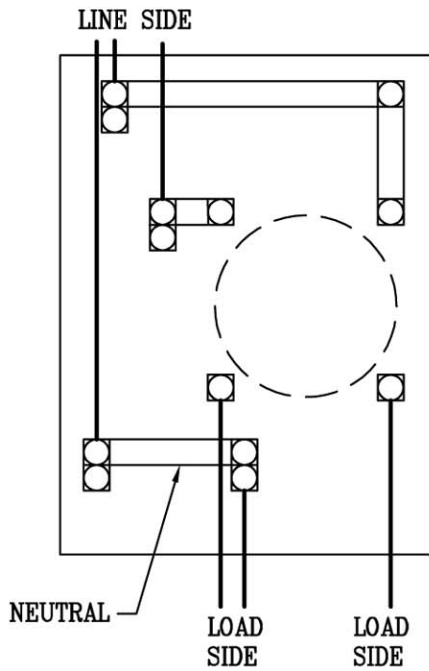
SHEET 1 of 1

SKETCH #25C

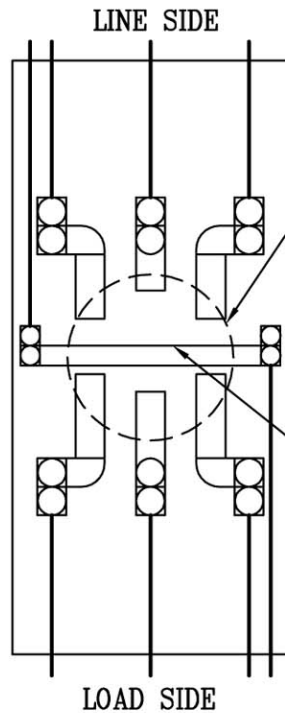
SHEET 1 of 1

NOT TO SCALE

VOLTAGE: 1 Phase, 3 Wire 120/240 3 Phase, 4 Wire WYE 120/208V 3 Phase, 4 Wire DELTA 120/240V	SERVICE TYPE: Overhead
AMPERAGE: 600 A MAXIMUM	CABINET LOCATION: Indoor Outdoor

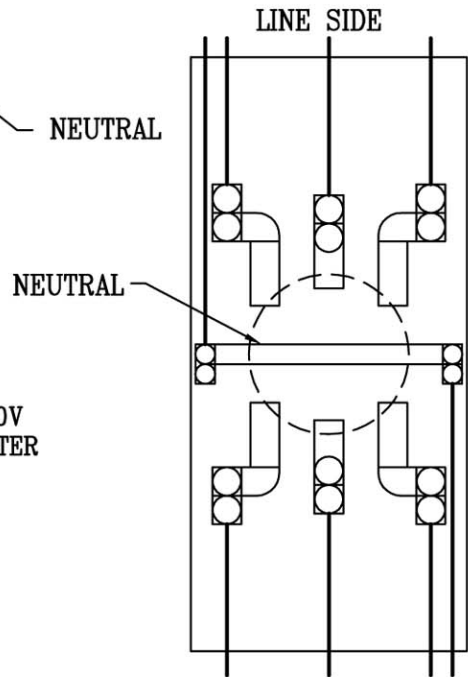


LOAD SIDE
3 WIRE, 1 PHASE, 120/240V
TABLE 1 - APPROVED METER
SERVICE DEVICES



LOAD SIDE
4 WIRE, 3 PHASE, 120/240V
TABLE 3 - APPROVED METER
SERVICE DEVICES

THE CONDUCTOR WITH HIGHER VOLTAGE TO GROUND MUST BE INSTALLED IN RIGHT HAND POSITION OF THE METERBASE AND MUST BE IDENTIFIED



LOAD SIDE
4 WIRE, 3 PHASE, 120/208V
TABLE 3 - APPROVED METER
SERVICE DEVICES

**RULES FOR ELECTRIC METER AND SERVICE
INSTALLATIONS**
**PPL ELECTRIC UTILITIES
CORPORATION**

Rules: 5, 10, 12, 13, 14, 16, 20

Date: 4/30/10 **Engr:** MDB