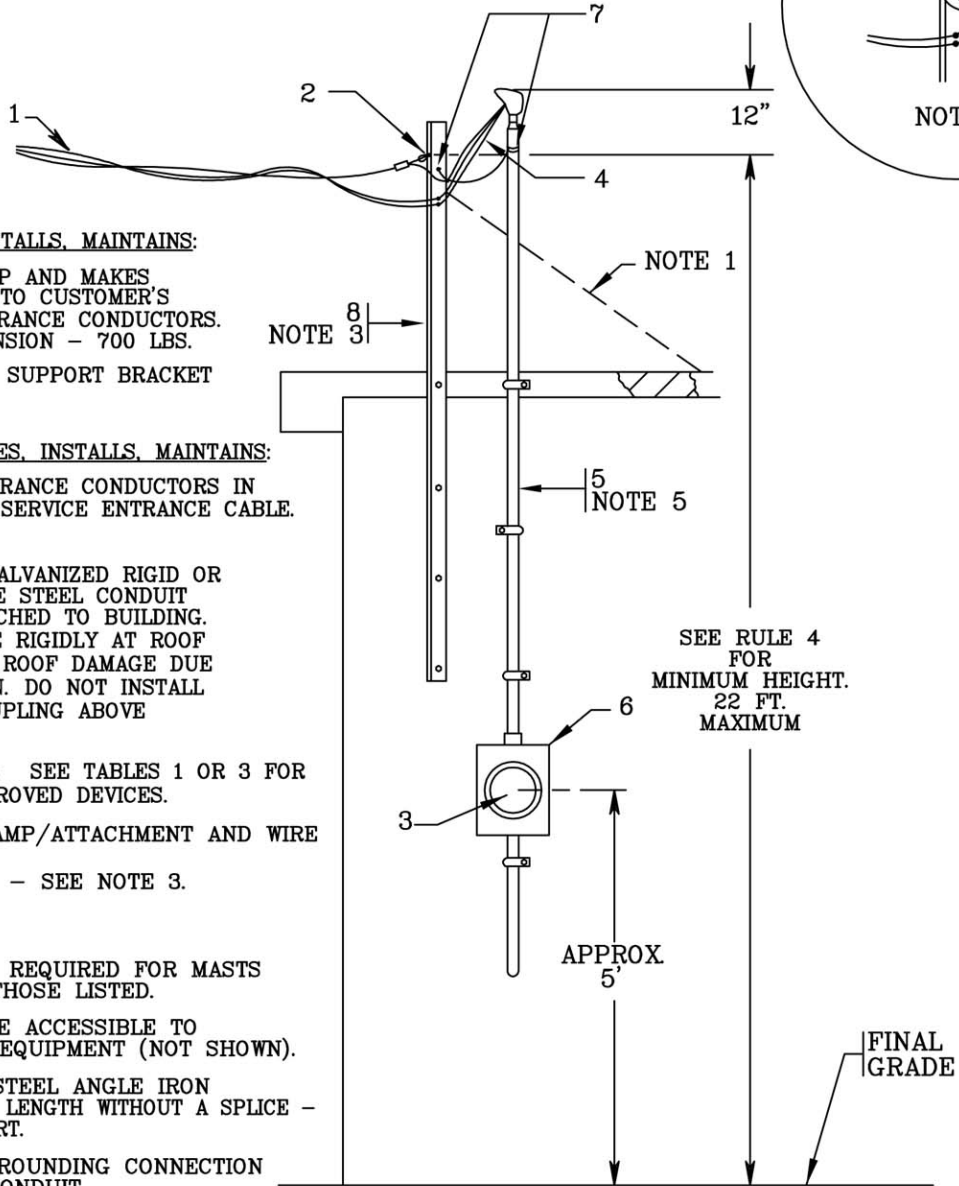
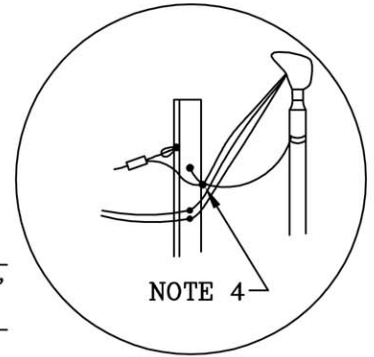


Secondary Service Drop Attachment
to an Angle Iron Support Attached
to Low Building to Provide Required Clearances

THIS TYPE OF CONNECTION IS LIMITED
TO SERVICES WITH SELF-CONTAINED
METER AND #4, #1/0, OR 4/0 TRIPLEX
FOR SINGLE PHASE, 3 WIRE OR 2/0
QUADRUPLEX FOR THREE PHASE, 4 WIRE



PPL FURNISHES, INSTALLS, MAINTAINS:

- 1 - SERVICE DROP AND MAKES CONNECTION TO CUSTOMER'S SERVICE ENTRANCE CONDUCTORS. MAXIMUM TENSION - 700 LBS.
- 2 - ATTACHMENT SUPPORT BRACKET
- 3 - METER

CUSTOMER FURNISHES, INSTALLS, MAINTAINS:

- 4 - SERVICE ENTRANCE CONDUCTORS IN CONDUIT OR SERVICE ENTRANCE CABLE. SEE NOTE 5.
- 5 - THREADED GALVANIZED RIGID OR INTERMEDIATE STEEL CONDUIT FIRMLY ATTACHED TO BUILDING. ANCHOR PIPE RIGIDLY AT ROOF TO PREVENT ROOF DAMAGE DUE TO VIBRATION. DO NOT INSTALL CONDUIT COUPLING ABOVE ROOF LINE.
- 6 - METER BASE; SEE TABLES 1 OR 3 FOR LIST OF APPROVED DEVICES.
- 7 - GROUND CLAMP/ATTACHMENT AND WIRE
- 8 - ANGLE IRON - SEE NOTE 3.

NOTES:

- 1. SUPPORT GUY REQUIRED FOR MASTS OTHER THAN THOSE LISTED.
- 2. MAST MUST BE ACCESSIBLE TO MECHANIZED EQUIPMENT (NOT SHOWN).
- 3. STRUCTURAL STEEL ANGLE IRON MUST BE FULL LENGTH WITHOUT A SPLICE - REFER TO CHART.
- 4. PPL MAKES GROUNDING CONNECTION FOR METAL CONDUIT.
- 5. SERVICE ENTRANCE CABLE MAY BE ATTACHED DIRECTLY TO ANGLE IRON.

ANGLE IRON SIZE (INCHES)	MAXIMUM HEIGHT (INCHES) ABOVE LAST SUPPORT BOLT (NO GUY)
3 X 3 X 7/16	27
4 X 4 X 1/2	56
5 X 5 X 1/2	90