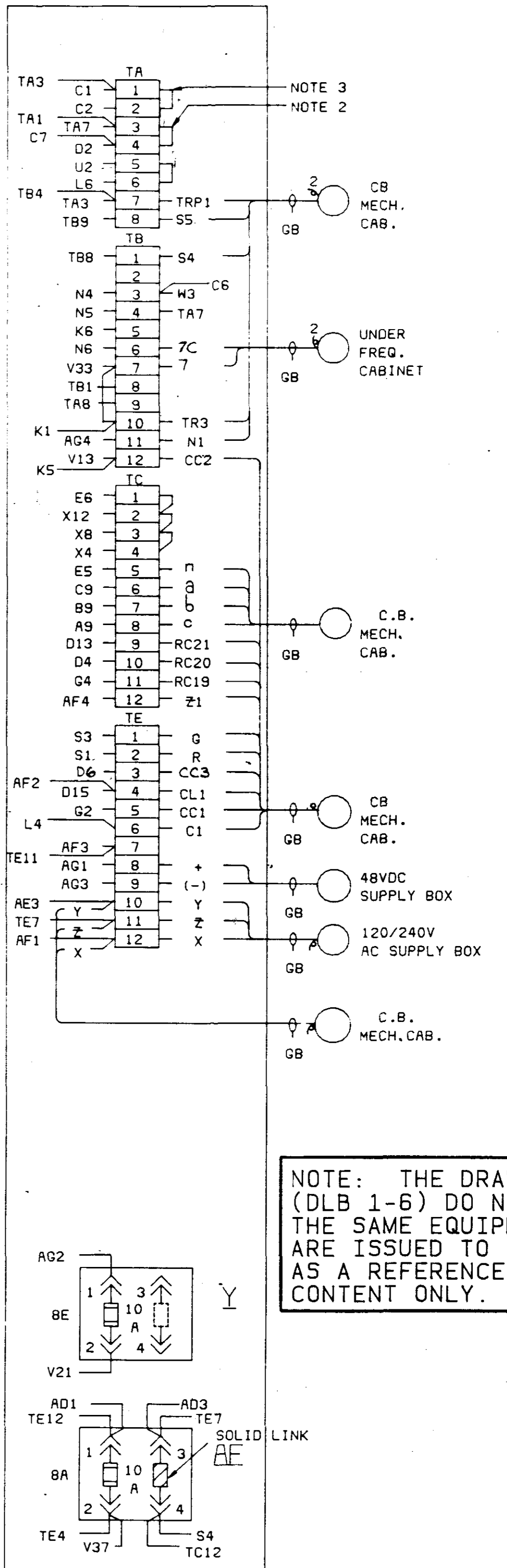
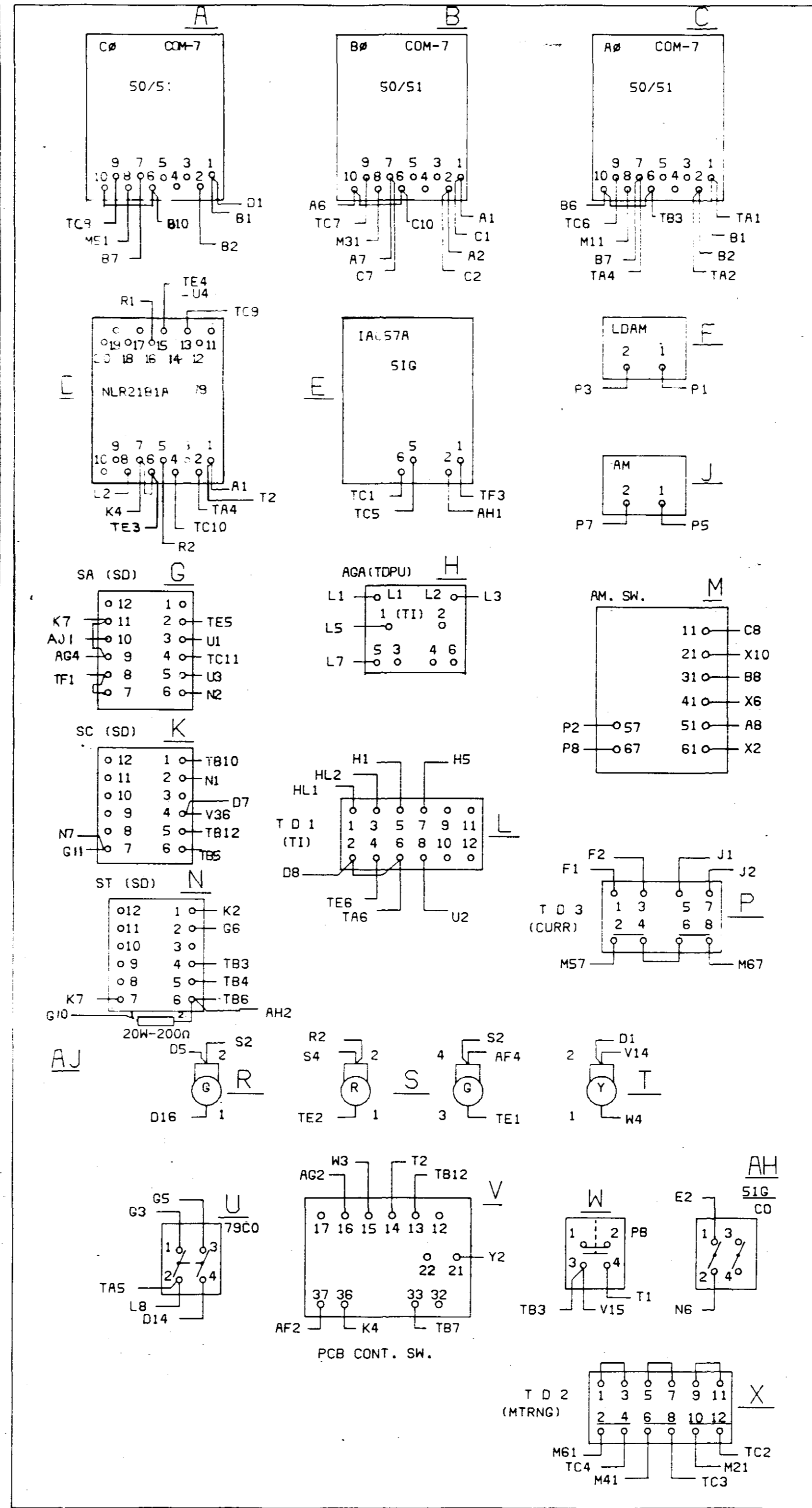
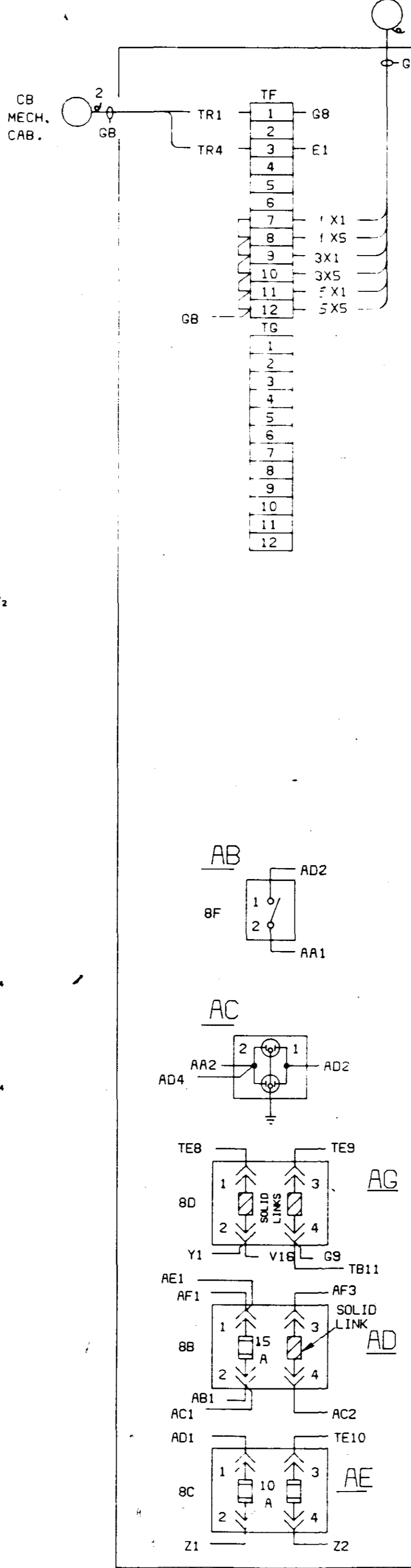
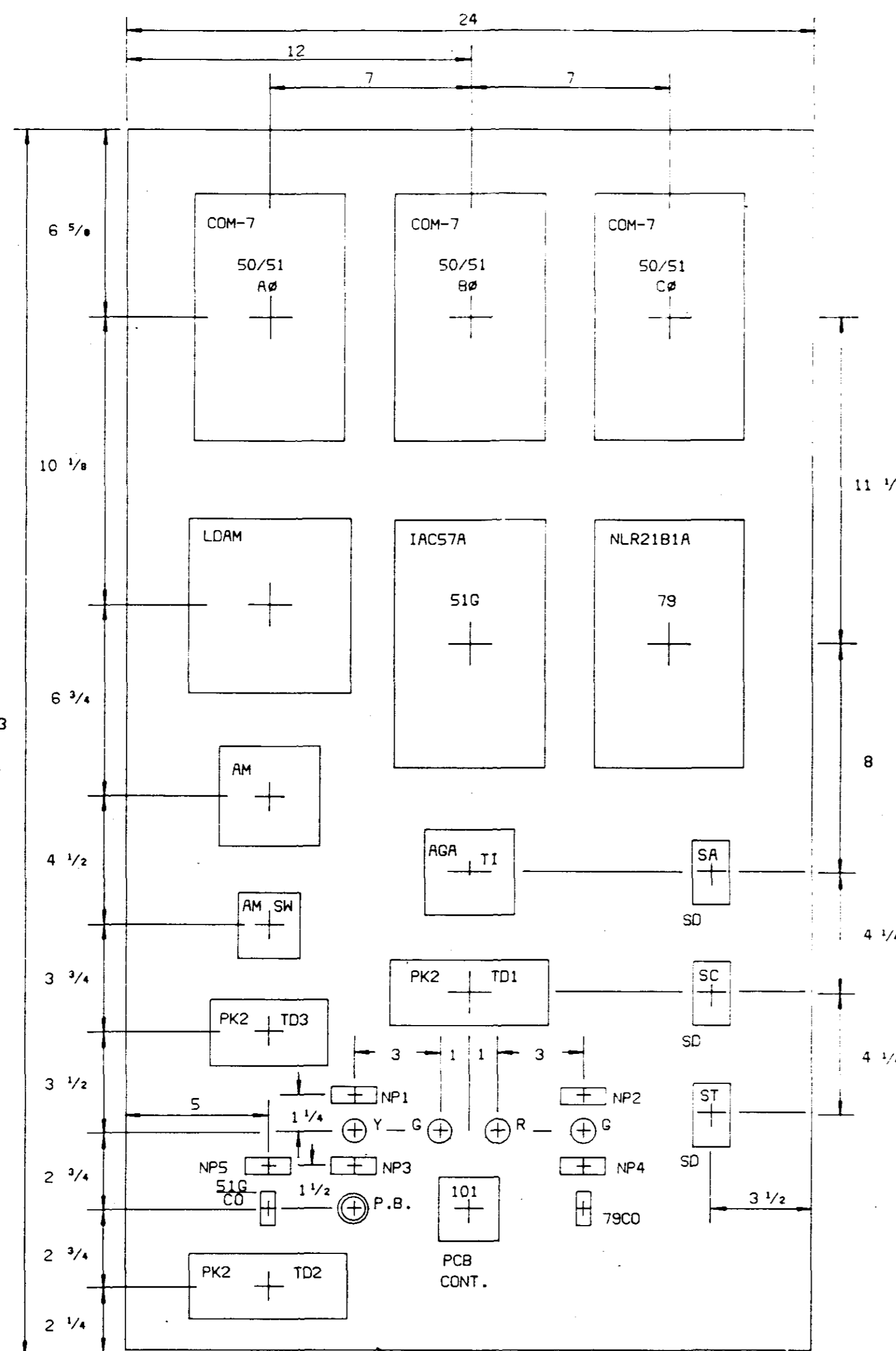
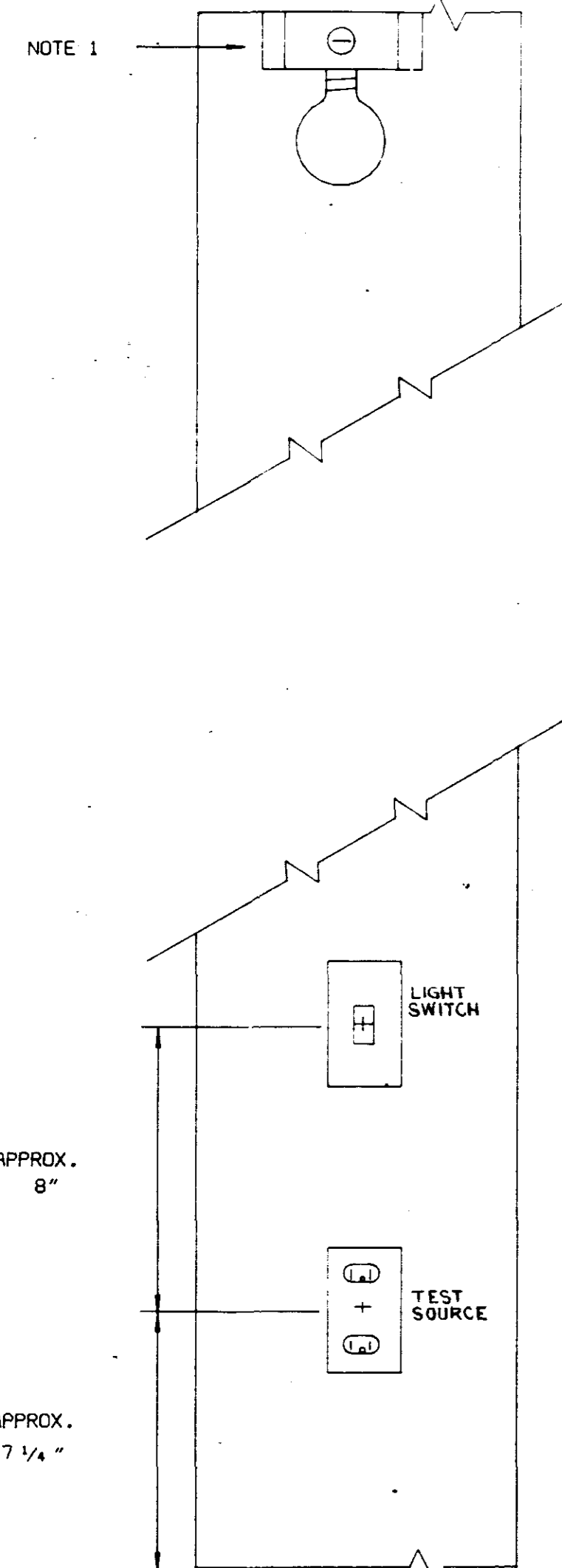
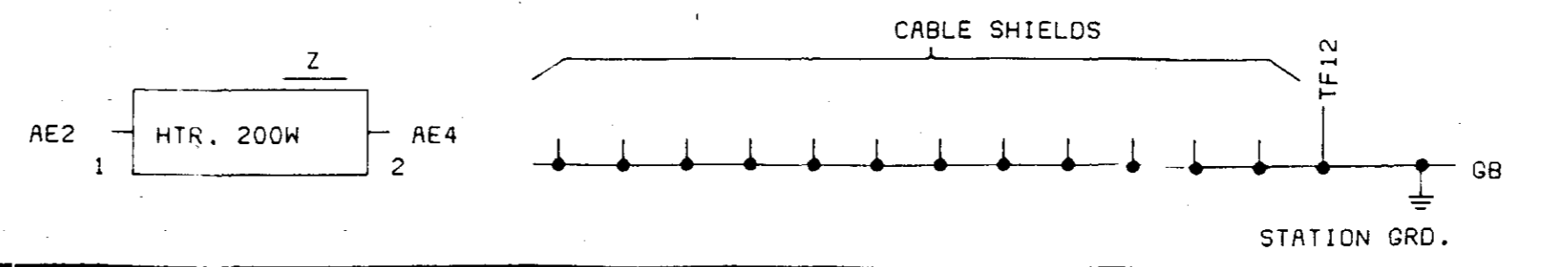


3	1	2	TRIP CKT CHECK
4	1	2	RECLOSER IN I OUT
5	1	2	GROUND RELAY IN I OUT



NOTE: THE DRAWINGS (DLB 1-6) DO NOT COVER THE SAME EQUIPMENT AND ARE ISSUED TO CUSTOMERS AS A REFERENCE FOR CONTENT ONLY.

- NOTES:
- 1 - 4" OCTAGON BOX & LAMP TO BE MOUNTED NEAR TOP OF CABINET SO AS NOT TO INTERFERE WITH SWING OF PANEL
 - 2 - LOW SET INSTANTANEOUS JUMPER- WITH LINKS TA3 & TA4 OPEN THE INSTANTANEOUS ELEMENT OF 50 IS CUT OUT AFTER FIRST TRIP. WITH LINKS CLOSED, INSTANTANEOUS ELEMENT IS IN TRIP CKT. AT ALL TIMES
 - 3 - HIGH SET INSTANTANEOUS JUMPER- OPEN LINKS TA1 & TA2 IF HIGH SET INSTANTANEOUS OVERCURRENT IS NOT IN SERVICE



ER-	EXAMPLE DRAWING FOR CUSTOMER OWNED GENERATION
ER-	WIRING DIAGRAM WITH FRONT VIEW
SCALL	
DATE-	
DRAWN-	PENNSYLVANIA POWER & LIGHT COMPANY
CHECKED-	APPROVED
LEADER-	
APPRD-	DLB-1

NO.	DATE	ER	REVISION	BY	CH.	APPROVED

