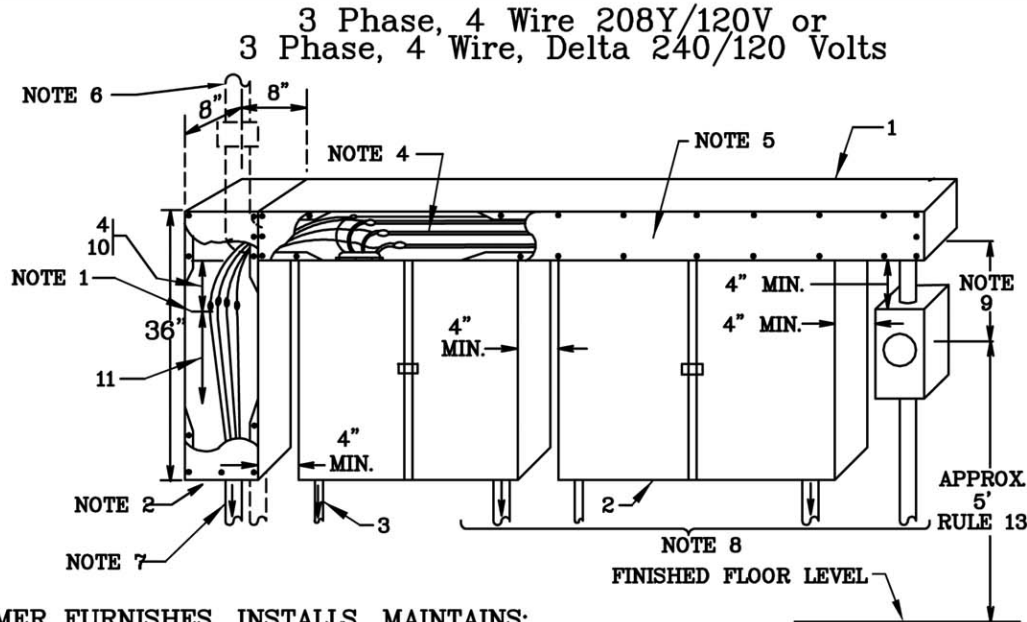


Overhead or Underground Secondary Service
Indoor Multi-Meter Installation for Common Service with
Instrument Transformer Cabinets and/or Meter Bases
Single Phase, 3 Wire, 120/208V or 120/240V



CUSTOMER FURNISHES, INSTALLS, MAINTAINS:

1. SERVICE ENTRANCE, HORIZONTAL AND VERTICAL SEALABLE WIRE TROUGH, INSTRUMENT TRANSFORMER CABINETS AND INDIVIDUAL METER BASE. SEE RULE 16.
2. SEALABLE METAL CABINET, MINIMUM SIZE 36"x36"x12" AND INSTALLS INSTRUMENT TRANSFORMERS AND METER MOUNTINGS FURNISHED BY PPL, RULE 15. SEE SKETCH 14 FOR DETAILS OF ARRANGEMENT OF INSTRUMENT TRANSFORMERS.
3. 1-1/4 INCH MINIMUM, THREADED, GALVANIZED, RIGID, OR INTERMEDIATE STEEL OR SCHEDULE 40 PVC CONDUIT AND FITTINGS BETWEEN INSTRUMENT TRANSFORMER CABINET AND METER MOUNTING. PPL FURNISHES AND INSTALLS WIRING BETWEEN INSTRUMENT TRANSFORMERS AND METER MOUNTING.
4. ALLOW 18 INCHES MINIMUM LENGTH OF CABLE IN TROUGH.

NOTES:

1. POINT OF DELIVERY. PPL MAKES CONNECTION BETWEEN SERVICE LATERAL CABLES AND CUSTOMER SERVICE ENTRANCE CABLES. SEE SKETCHES 48 AND 49 FOR MULTIPLE SERVICE ENTRANCE CONDUCTORS.
2. VERTICAL SEALABLE WIRE TROUGH SHALL OPEN ON FRONT.
3. SUB-SERVICE FROM A COMMON 3 PHASE, 4 WIRE, 208 VOLT SERVICE SHALL BE BALANCED (NOT SHOWN). SEE RULE 2.
4. IDENTIFY THE HIGHEST VOLTAGE TO GROUND CONDUCTOR OF 3 PHASE, 4 WIRE, DELTA CONNECTED SERVICE. SEE RULE 5.
5. CUSTOMER SHALL MAKE ALL SUB-SERVICE TAPS TO INDIVIDUAL METER BASES FROM CUSTOMER'S BUS IN HORIZONTAL WIRE TROUGH. SEE RULE 16. METERED CONDUCTORS SHALL NOT BE INSTALLED IN THIS WIRE TROUGH. SEE RULE 12.
6. SERVICE ENTRANCE CONDUIT OR CABLE FOR OVERHEAD SERVICE. RULES 5 AND 16.
7. UNDERGROUND SERVICE ENTRANCE CABLE OR 3 INCH RIGID CONDUIT. RULES 5 AND 16.
8. SUB-SERVICES TO INDIVIDUAL CUSTOMER'S SERVICE DISCONNECTING EQUIPMENT. SEE RULE 21.
9. SPACE TO SUIT.
10. CUSTOMER RESPONSIBILITY
11. PPL RESPONSIBILITY
12. SKETCH DIMENSIONS ARE FOR ONE SET OF 3 OR ONE SET OF 4 #1/0, #4/0, OR 350 KCMIL ALUMINUM XLP CABLE.
13. FOR ALL SETS OF 500 AND 750 KCMIL CABLE, CUSTOMER FURNISHES, INSTALLS, MAINTAINS SEALABLE METAL CABINET PER SKETCH 54 AND 54A.

*REFERENCE CRS 6-19-134

RULES FOR ELECTRIC METER AND SERVICE
INSTALLATIONS
**PPL ELECTRIC UTILITIES
CORPORATION**

Rules: 2, 5, 12, 13, 16, 21 REMSL_S028_R2.dwg
Date: 03/04/05 **Engr:** RGR