

Typical Arrangement of Meter on Building

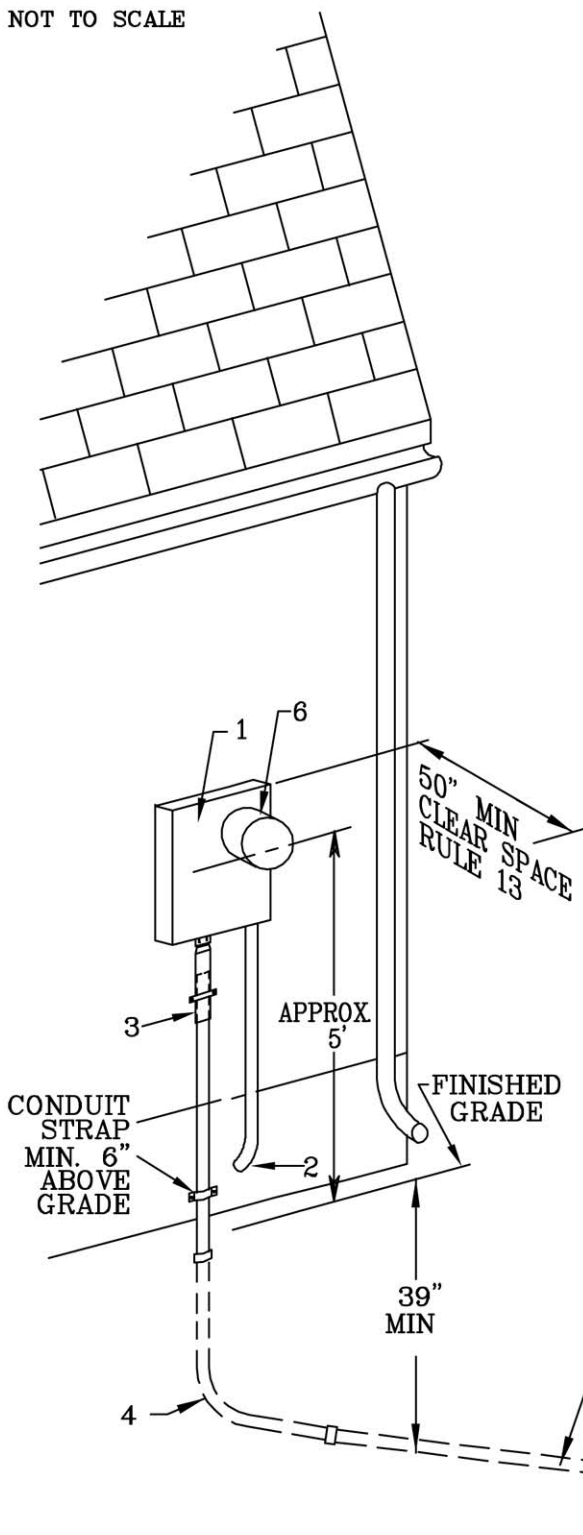
SKETCH #7

SKETCH #7

SHEET 1 of 1

SHEET 1 of 1

NOT TO SCALE



VOLTAGE: 1 Phase, 3 Wire, 120/240V 1 Phase, 3 Wire, 120/208V*	SERVICE TYPE: Underground
AMPERAGE: *400 A Maximum 600 A Maximum	METER BASE: Outdoor

CUSTOMER FURNISHES, INSTALLS, MAINTAINS

1. UNDERGROUND METER BASE APPROVED BY PPL EU SEE TABLE 2 - 1 PHASE.
2. SERVICE ENTRANCE CABLE OR CONDUCTORS IN CONDUIT. SEE RULE 5.
3. SLIP RISER AND CONDUIT. SEE SKETCH #7A FOR MORE DETAILS.
4. 90° ELBOW, 36-INCH RADIUS (GRAY SCHEDULE 40 PVC OR GALVANIZED STEEL) (CONSULT PPL EU TECHNICIAN FOR MATERIAL).
5. SERVICE LATERAL CONDUIT - GRAY SCHEDULE 40 PVC CONDUIT (UL APPROVED) OR SUPERCORFLO (SIZE TO MATCH METER RISER CONDUIT).

PPL EU FURNISHES, INSTALLS, MAINTAINS:

6. METER
7. SERVICE LATERAL CONDUCTORS INSTALLED INSIDE OF CUSTOMER SUPPLIED CONDUIT TERMINATING ON LINE SIDE TERMINALS IN METER BASE.

NOTE:

- A. CUSTOMER EXCAVATES, PROVIDES SELECT BACKFILL AND PPL EU SPECIFIES CONDUIT. BACKFILLS, TAMPs IN LAYERS OVER DISTURBED EARTH NEAR BUILDING FOUNDATION TO HELP PREVENT DAMAGE TO SERVICE ENTRANCE EQUIPMENT DUE TO GROUND SETTLING AND RESTORES SURFACE OF TRENCH FROM BASE OF POLE TO BUILDING.

SERVED FROM OVERHEAD OR PAD-MOUNT TRANSFORMER

*REFERENCE: CRS 6-19-133 & CRS 6-19-134 & SKETCH #7A

RULES FOR ELECTRIC METER AND SERVICE INSTALLATIONS

Rules: 5, 6, 10, 11B, 13, 14

REMSI_S007.dwg

PPL ELECTRIC UTILITIES CORPORATION

Date: 3/18/11 Engr: MDB