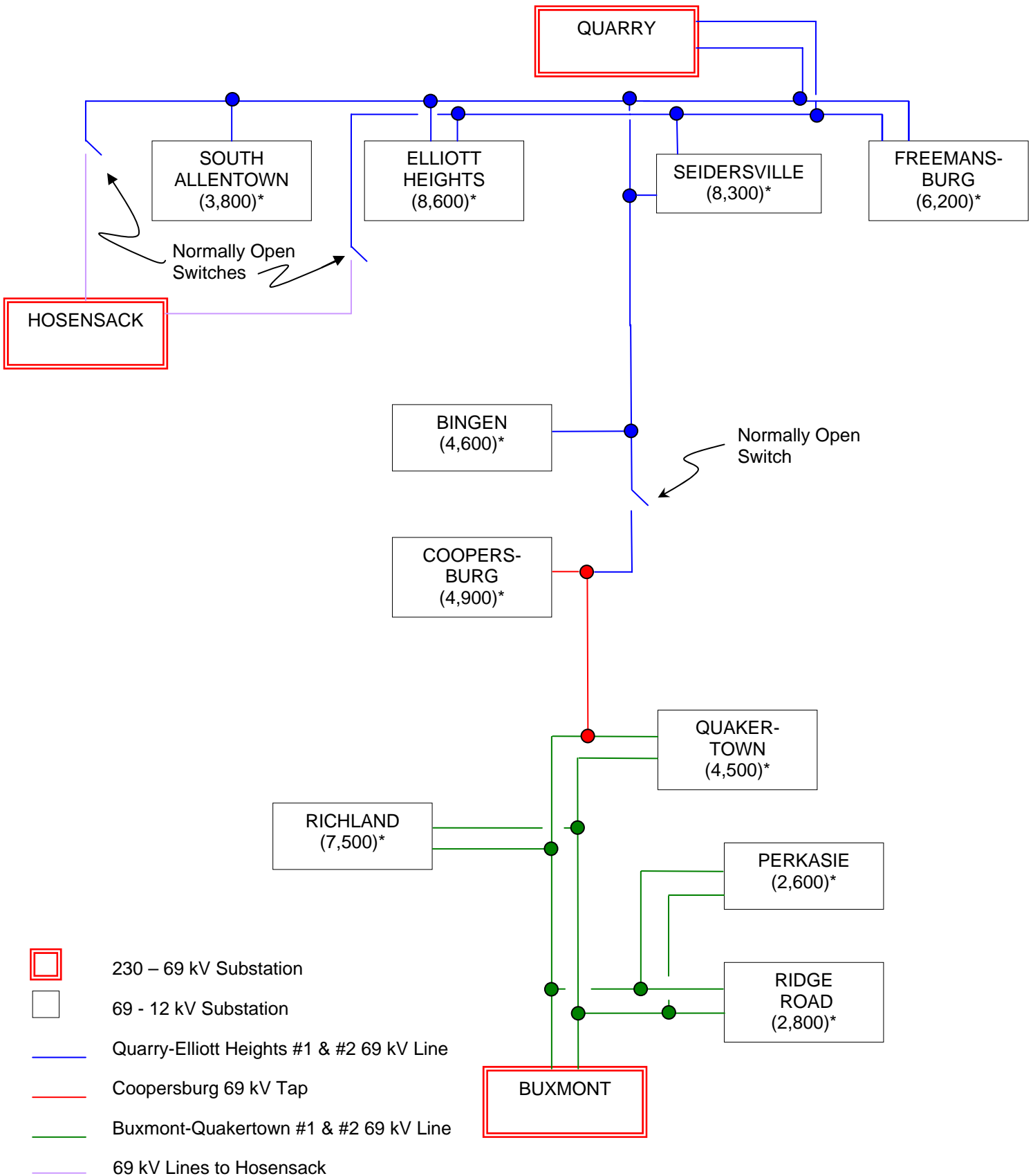


ONE-LINE DIAGRAM OF EXISTING SYSTEM



- 230 – 69 kV Substation
- 69 - 12 kV Substation
- Quarry-Elliott Heights #1 & #2 69 kV Line
- Coopersburg 69 kV Tap
- Buxmont-Quakertown #1 & #2 69 kV Line
- 69 kV Lines to Hosensack

* Estimated Number of Customers Served By Substation

FIGURE 1