

Typical Arrangement of Three Phase Outdoor Metering
Equipment on Customer-Owned Meter Pole
Overhead Line to Overhead Distribution
15 KV or Less

CUSTOMER FURNISHES,
INSTALLS, MAINTAINS:

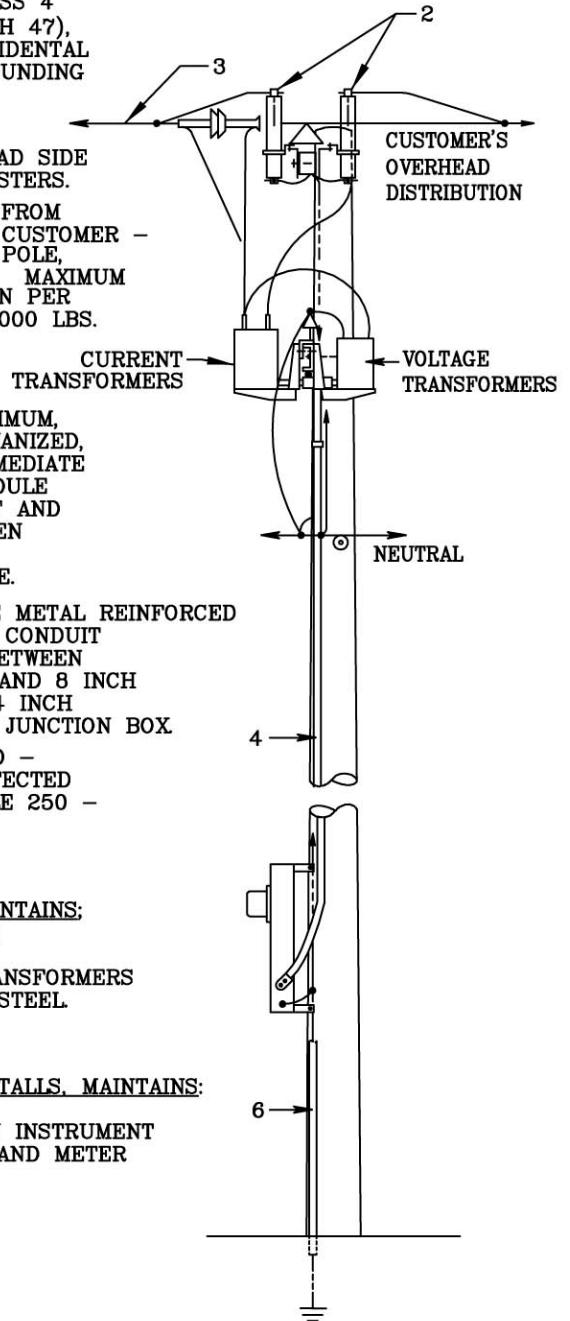
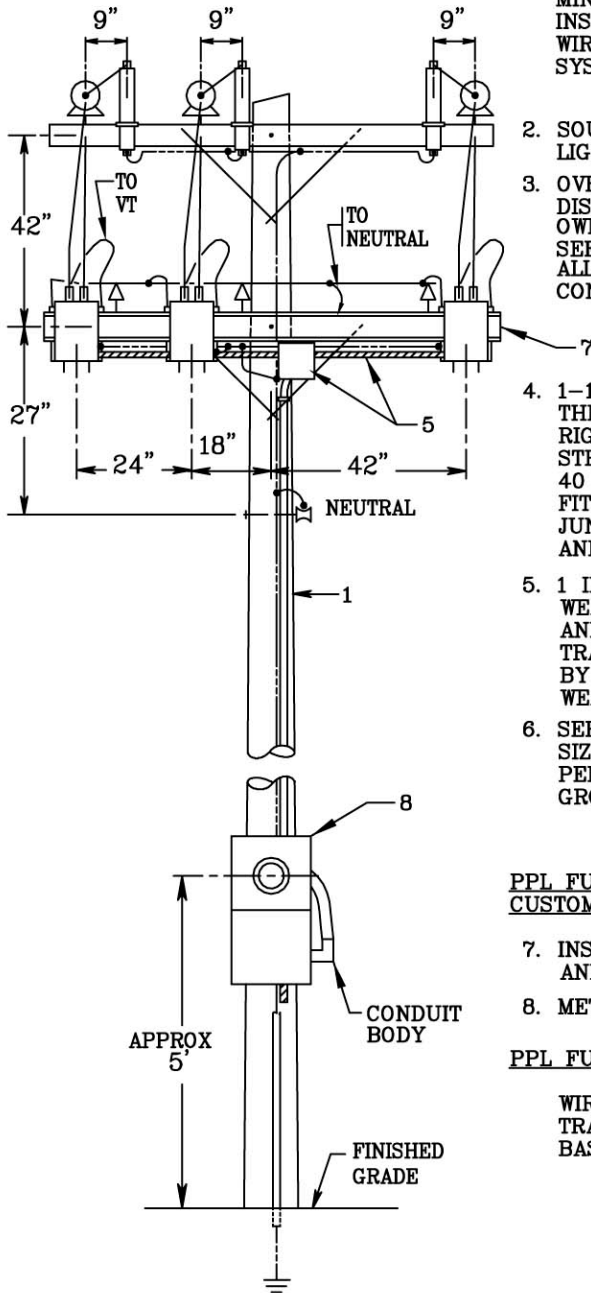
1. WOOD POLE (CLASS 4 MIN., SEE SKETCH 47), INSULATORS, INCIDENTAL WIRING AND GROUNDING SYSTEM.
2. SOURCE AND LOAD SIDE LIGHTNING ARRESTERS.
3. OVERHEAD LINE FROM DISCONNECT ON CUSTOMER - OWNED SERVICE POLE, SEE SKETCH 30. MAXIMUM ALLOWED TENSION PER CONDUCTOR - 2000 LBS.
4. 1-1/4 INCH MINIMUM, THREADED, GALVANIZED, RIGID OR INTERMEDIATE STEEL OR SCHEDULE 40 PVC CONDUIT AND FITTINGS BETWEEN JUNCTION BOX AND METER BASE.
5. 1 INCH FLEXIBLE METAL REINFORCED WEATHER TIGHT CONDUIT AND FITTINGS BETWEEN TRANSFORMERS AND 8 INCH BY 8 INCH BY 4 INCH WEATHER TIGHT JUNCTION BOX.
6. SERVICE GROUND - SIZED AND PROTECTED PER NEC ARTICLE 250 - GROUNDING

PPL FURNISHES, MAINTAINS:
CUSTOMER INSTALLS:

7. INSTRUMENT TRANSFORMERS AND MOUNTING STEEL
8. METER BASE

PPL FURNISHES, INSTALLS, MAINTAINS:

WIRING BETWEEN INSTRUMENT TRANSFORMERS AND METER BASE.



REFERENCE CRS 6-09-196

REMSI_S033_R1.dwg