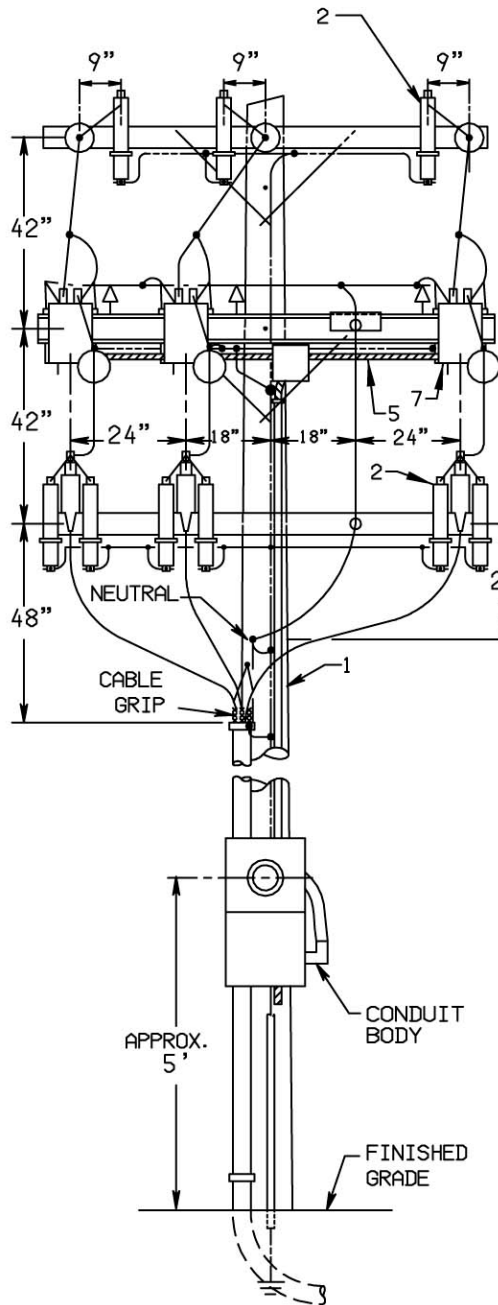


Typical Arrangement of Three Phase
Outdoor Metering Equipment
on Customer-Owned Pole.
Termination of Customer-Owned
Underground Distribution 15 KV or Less



CUSTOMER FURNISHES.
INSTALLS, MAINTAINS:

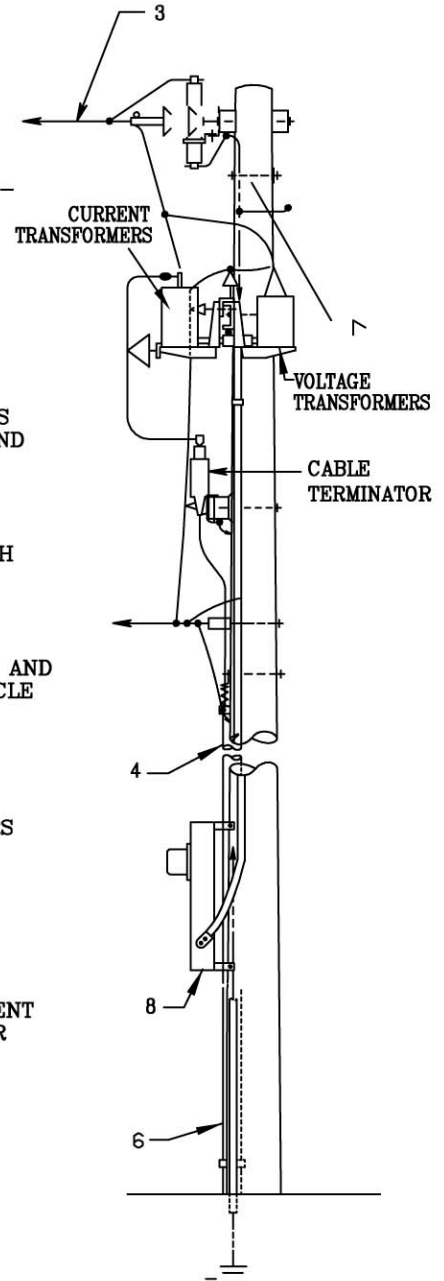
1. WOOD POLE (CLASS 4 MIN. SEE SKETCH 47), INSULATORS, 15KV CABLE TERMINATION, GUYING, INCIDENTAL WIRING AND GROUNDING SYSTEM.
2. SOURCE AND LOAD SIDE LIGHTNING ARRESTERS.
3. OVERHEAD LINE FROM DISCONNECT ON CUSTOMER-OWNED SERVICE POLE - SEE SKETCH 30. MAXIMUM ALLOWED TENSION PER CONDUCTOR - 2000 LBS.
4. 1-1/4 INCH MINIMUM, THREADED, GALVANIZED, RIGID OR INTERMEDIATE STEEL OR SCHEDULE 40 PVC CONDUIT AND FITTINGS BETWEEN JUNCTION BOX AND METER MOUNTING.
5. 1 INCH FLEXIBLE CONDUIT AND FITTINGS BETWEEN TRANSFORMERS AND 8 INCH BY 8 INCH BY 4 INCH WEATHER TIGHT METAL JUNCTION BOX.
6. SERVICE GROUND - SIZED AND PROTECTED PER NEC ARTICLE 250 - GROUNDING.

PPL FURNISHES, MAINTAINS:
CUSTOMER INSTALLS:

7. INSTRUMENT TRANSFORMERS AND MOUNTING STEEL.
8. METER BASE

PPL FURNISHES, INSTALLS.
MAINTAINS:

WIRING BETWEEN INSTRUMENT TRANSFORMERS AND METER MOUNTING.



REFERENCE 6-09-196, 6-09-197