



**Underground Structural
Customer Reference Specification
6-15-160**

0000-000-ST-6015
Custom ID: DCS 6-15
Revision: 02
Effective Date: 10/30/2015
Page 42 of 59

6-15-160 – Customer Reference Specification

Customer Installed Precast Manhole

THIS CUSTOMER REFERENCE SPECIFICATION (CRS) IS PART OF THE
RULES FOR ELECTRIC METER AND SERVICE INSTALLATION (REMSI) WEBSITE.



**Underground Structural
Customer Reference Specification
6-15-160**

0000-000-ST-6015
Custom ID: DCS 6-15
Revision: 02
Effective Date: 10/30/2015
Page 43 of 59

This specification contains basic information which defines PPL material & design requirements for the installation of a precast concrete manhole. Precast concrete manholes must meet H-25 loading requirements.

All details of this specification shall be strictly followed. Any deviation must be approved by a PPL engineer. Unapproved deviations are usually costly for the customer to correct & can result in delays or possible refusal to connect service.

Other Associated Specification

6-15-180 – Customer Installed Duct System

6-18-115 – Installation Instructions for Customer-Installed Conduit System on PPL Terminal Poles

A-190974 – Concrete Specification

Notes For Precast Manhole Installation

1. Construction Plan

PPL will provide the customer with a construction plan showing the proposed location of the manhole. Any deviation from the proposed location, due to on-site obstructions, must be approved by PPL.

2. Excavate

Excavate to provide 12-inch clearance all around manhole. Depth as required.

3. Backfill

Backfill using crushed stone to approximately $\frac{1}{2}$ the excavation depth. Remove shoring and tamp or rod the stone to be sure it flows into all voids. Complete backfill to top of manhole.

4. Sump

Unless specified by PPL engineer, do not open sump knockout in foundation.

5. Precast Manhole Installation

The customer's contractor is responsible for purchasing the precast manhole. The contractor must coordinate site preparations with desired delivery date. If site preparations are complete, supplier will set manhole in final position. Contractor must provide a clear & firm approach to the point of delivery. See REMSI website for a list of approved suppliers.

6 Customer is responsible for grounding and installing PPL supplied equipment per PPL specification.

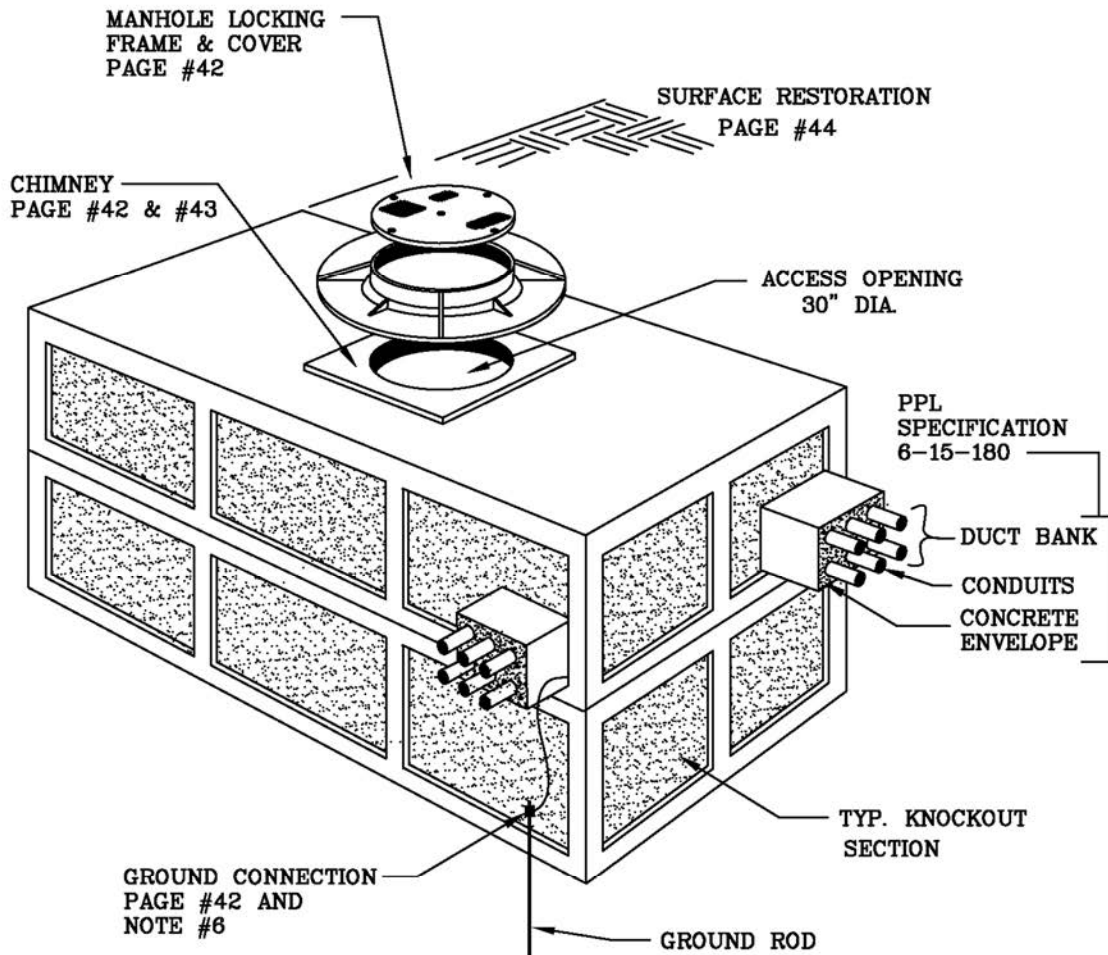


**Underground Structural
Customer Reference Specification
6-15-160**

0000-000-ST-6015
Custom ID: DCS 6-15
Revision: 02
Effective Date: 10/30/2015
Page 44 of 59

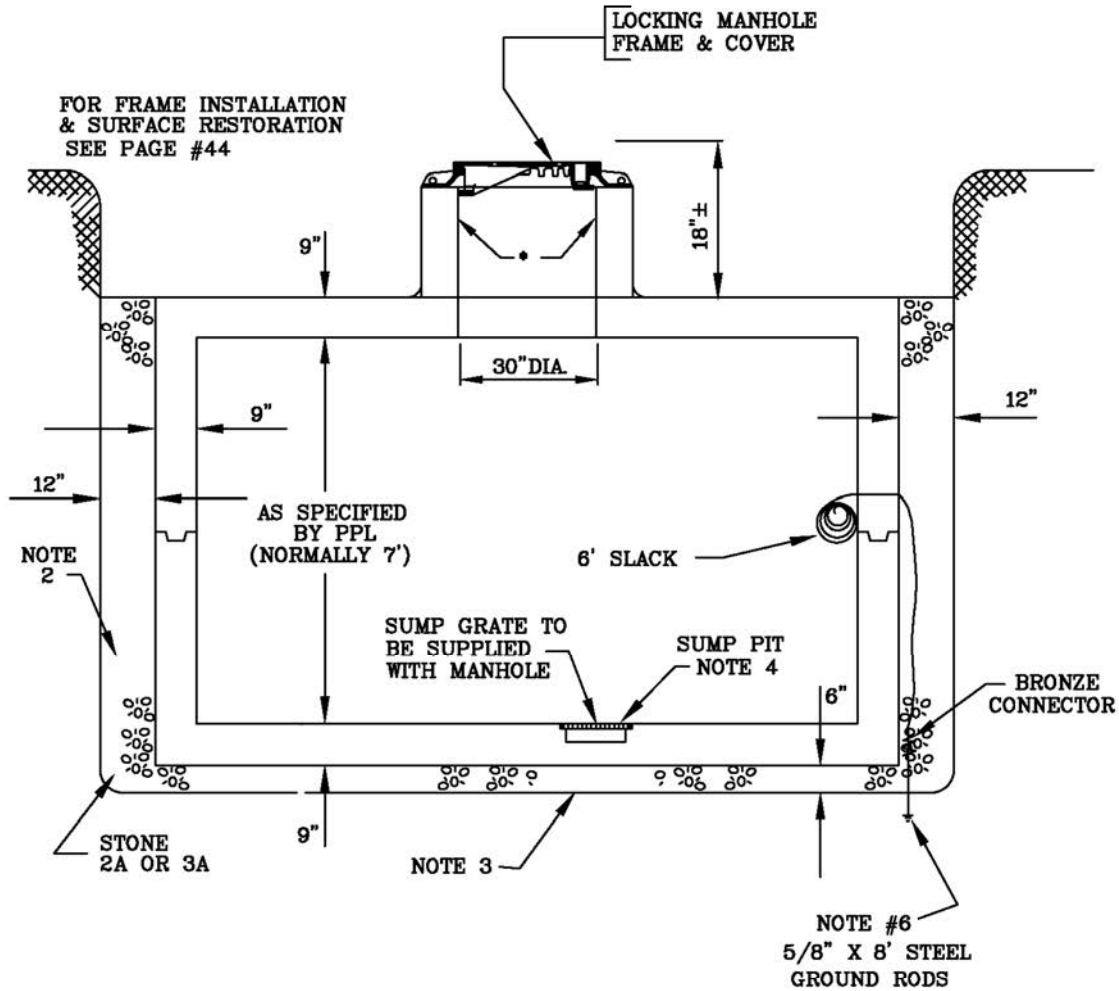
Approved Suppliers

1. Rotondo Precast
18 Phelps Street
Telford, PA 18969
215-257-8081
2. A. C. Miller Concrete Product, Inc.
Bridge Street
Spring City, PA 19432
610-948-4600
3. Terre Hill Concrete Products, Inc.
P.O. Box 10
Terre Hill, PA 17581
717-445-3100
4. Monarch Products, Inc.
385 Sipe Road
York Haven, PA 17570
717-938-9303
5. Monarch Precast Concrete Corp.
425 North Dauphin Street
Allentown, PA 18109
610-435-6746
6. Modern Precast Concrete Products
& Construction Supplies
2863 Brodhead Road
Bethlehem, PA 18020
616-997-3119
7. Scranton Craftsmen, Inc.
930 Dunmore Street
Throop, PA 18512
800-775-1479



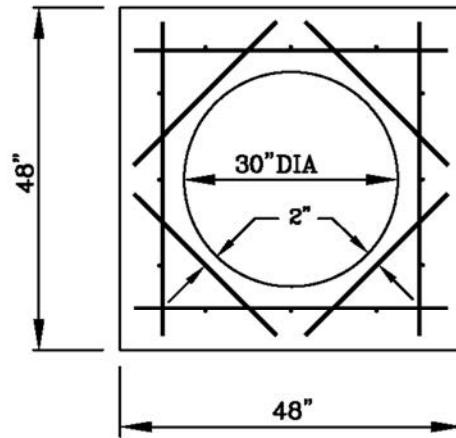
NOTE - INTERIOR LENGTH, WIDTH & HEIGHT AS SPECIFIED BY PPL

6-15-160-A



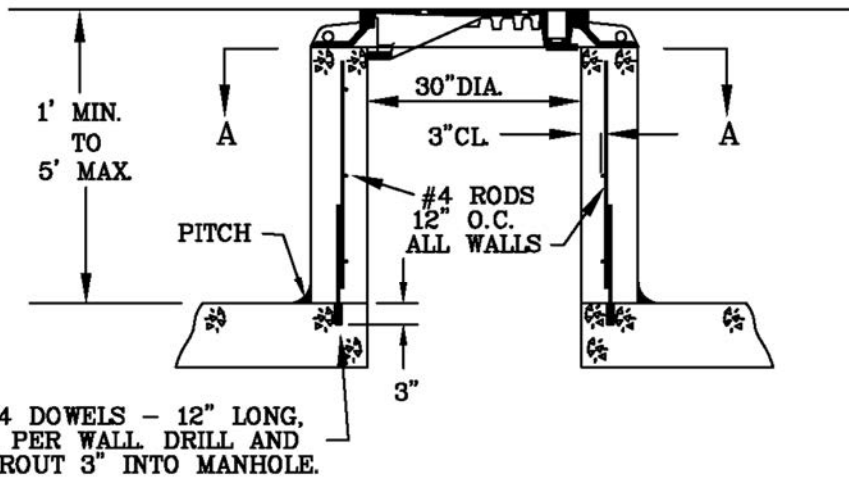
- POUR CONCRETE TO FILL AREA UNDER FRAME SOLIDLY. EXPANDABLE METAL FORM SHOULD BE USED IN THE MANHOLE ENTRANCE TO PROVIDE A SMOOTH THROAT

6-15-160-B



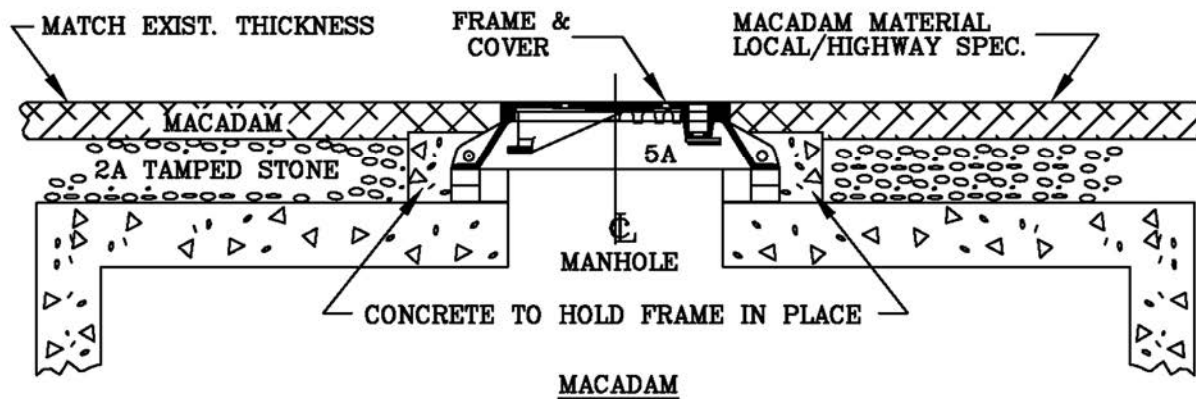
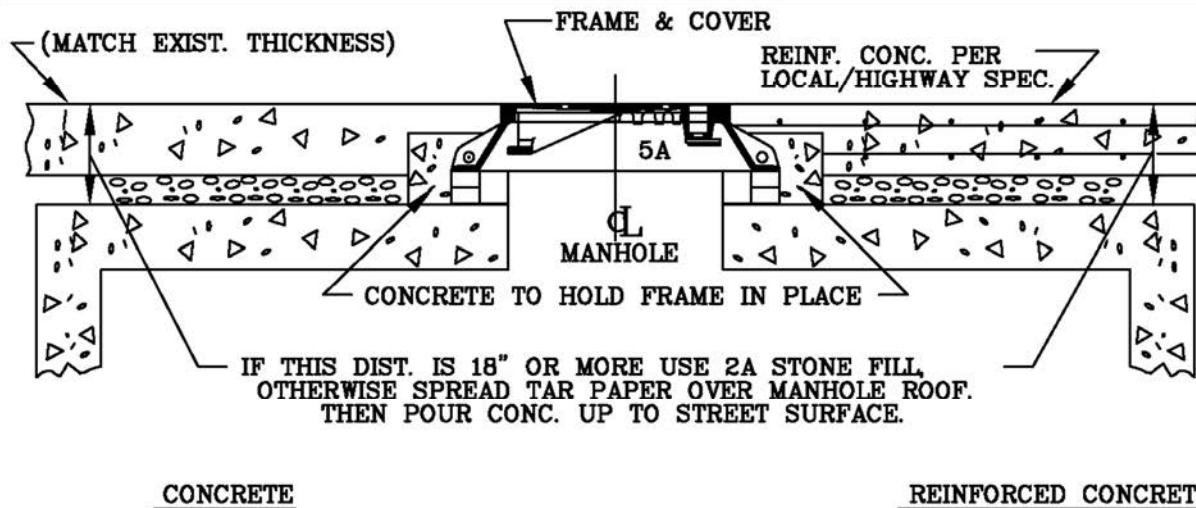
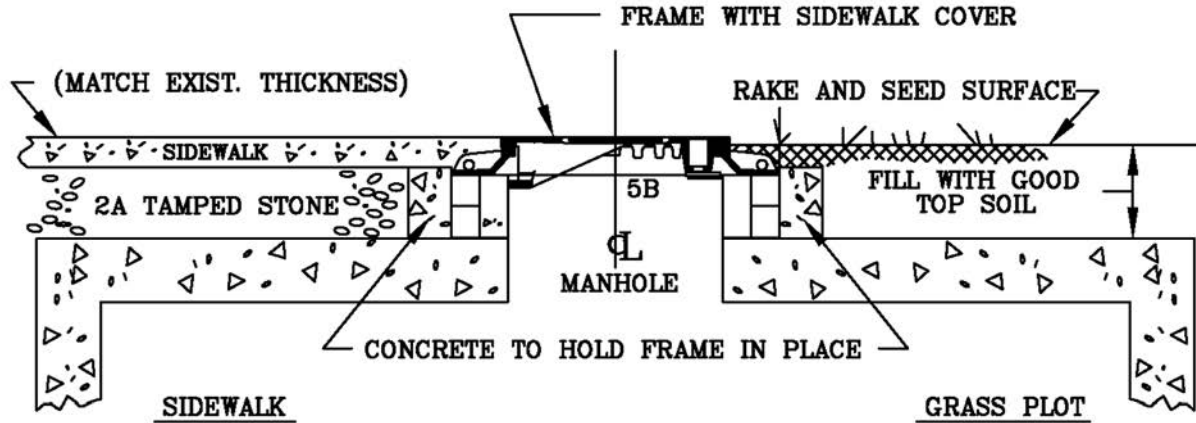
SECTION A-A

FOR SURFACE RESTORATION
 SEE PAGE #44



PRECAST MANHOLE

6-15-160-C



6-15-160-D