



6-18-115 – Customer Reference Specification

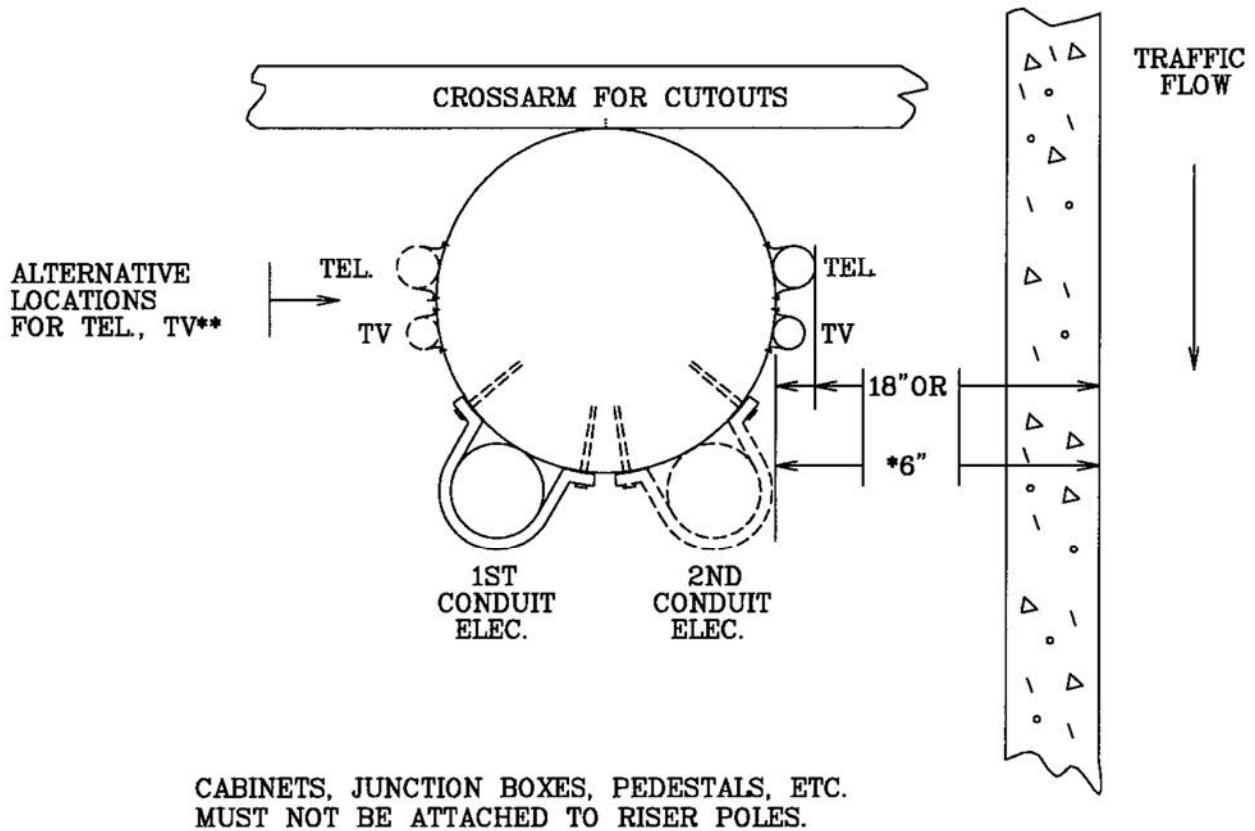
**Installation Instructions for
Customer-Installed Conduit Systems
On PPL Terminal Poles**

Replaces CRS-1005

This specification defines PPL's requirements for conduit arrangement at terminal poles. All details of this specification must be strictly followed. Any deviation must be approved by a PPL engineer. Unapproved deviations are usually costly for the customer to correct and can result in delays or possible refusal to connect service.

**Riser Attachment Location
 On Poles Near Roadways
 (With or Without Curb)**

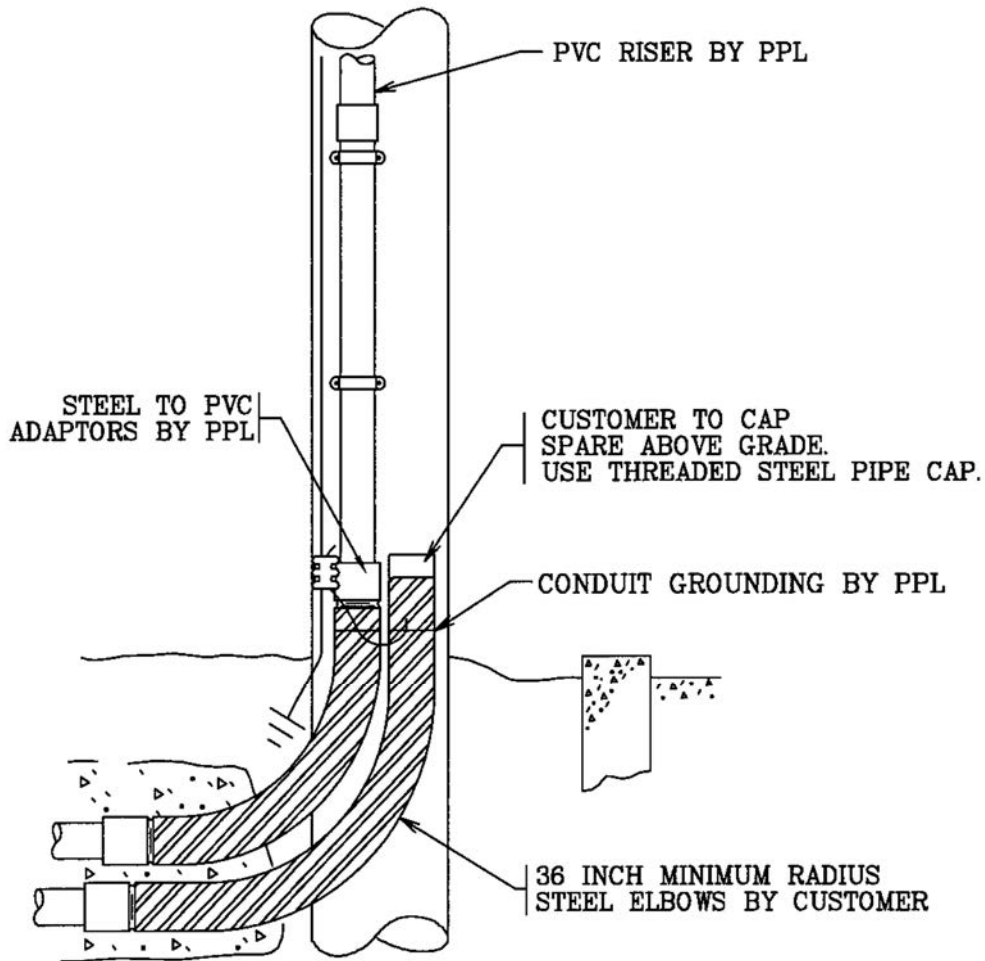
Location Must Be Approved by PPL



* ALONG PENNDOT ROADWAYS, 18" MINIMUM IS REQUIRED. AT NEW INSTALLATIONS, 18" MINIMUM IS RECOMMENDED. THE NATIONAL ELECTRICAL SAFETY CODE REQUIRES 6" MINIMUM CLEARANCE TO BOTH THE POLE AND RISER.

** TEL & TV RISERS SHOULD BE LOCATED ON SAME SIDE AS THEIR OVERHEAD CABLES ARE ATTACHED.

6-18-115-A

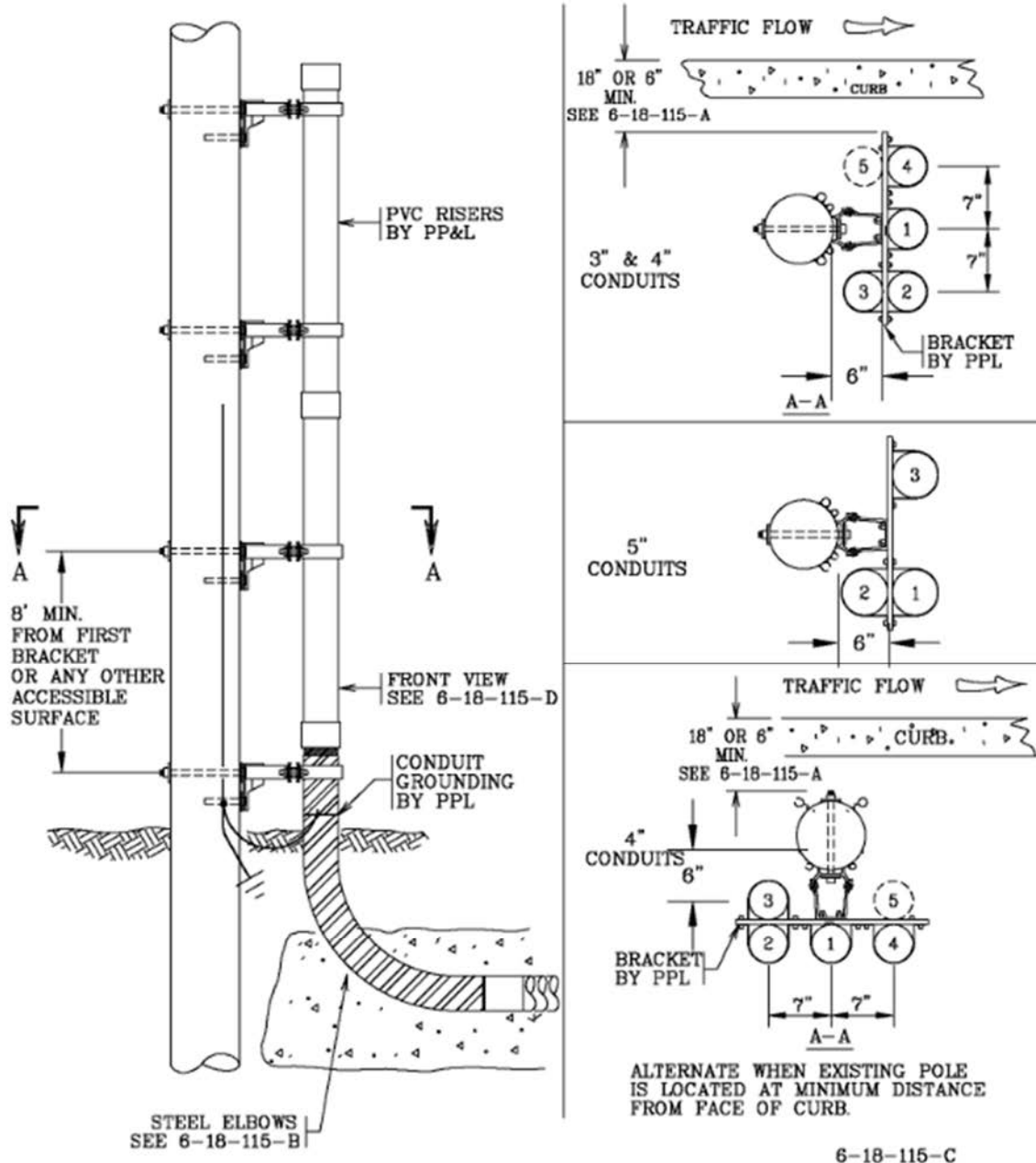


CUSTOMER INSTALLED CONDUIT SYSTEM CAN BE EITHER:
 STEEL, DIRECTLY BURIED
 OR
 PVC*, ENCASED IN CONCRETE
 FOR FULL LENGTH OF THE RUN

*TO PREVENT PVC TO STEEL COUPLING FROM BREAKING, ENCASE LOWER 1/3 OF STEEL ELBOWS IN CONCRETE

6-18-115-B

INSTALLATION OF 4 OR 5 RISERS FOR UNDERGROUND SERVICE FROM OVERHEAD TRANSFORMER BANK



6-18-115-C

INSTALLATION OF 3, 4, OR 5 RISERS FOR UNDERGROUND SERVICE FROM OVERHEAD TRANSFORMER BANK

