

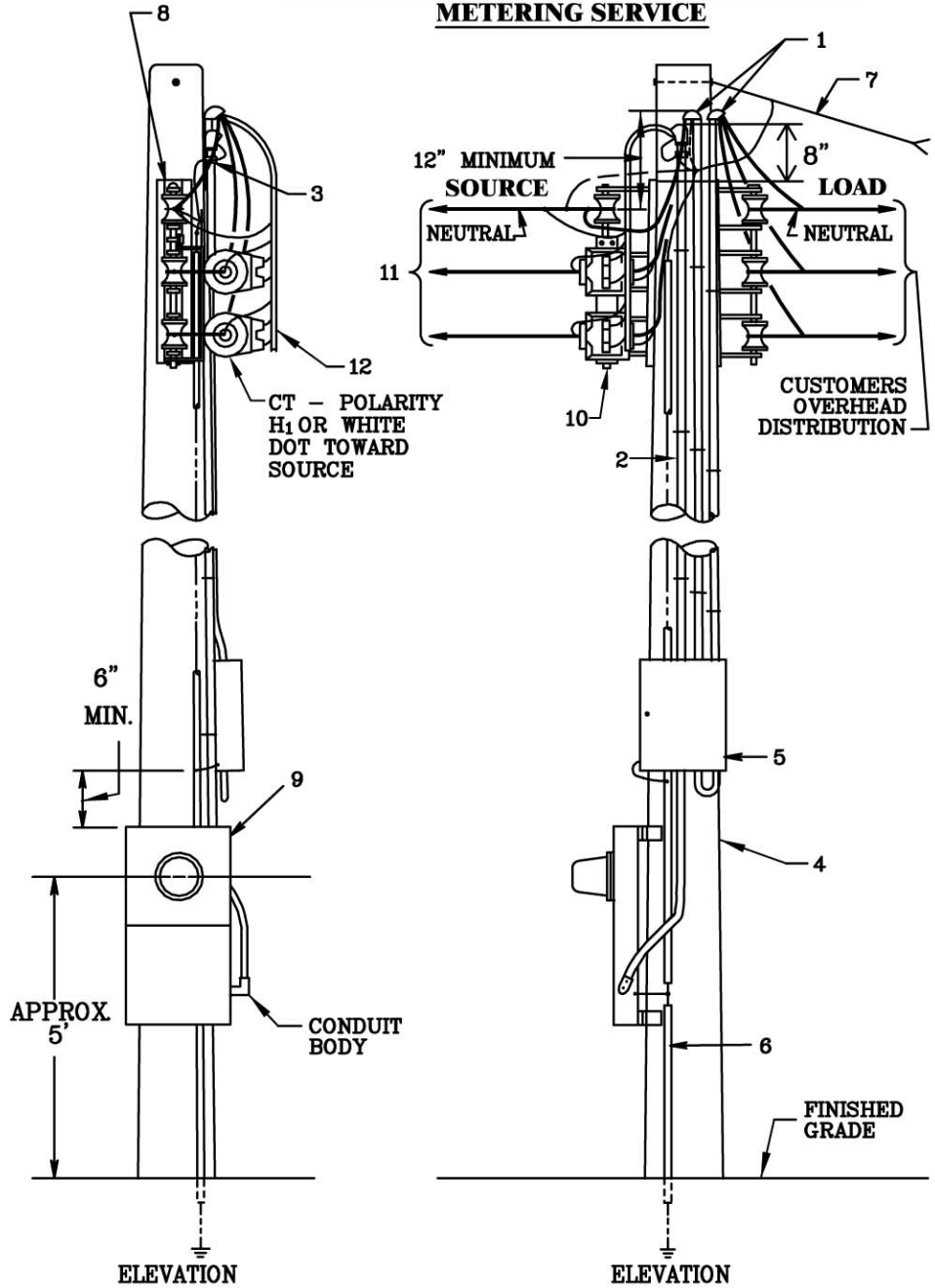
SKETCH #10A
SHEET 10AP1

Service Drop Attachment and Instrument Transformer
Mounting on Customer-Owned Service and Meter Pole
Overhead Service to Overhead Distribution
Single Phase, 3 Wire, 120/208 V or
3 Wire 120/240 V Service Over 600 A
Instrument Transformer Metering

SKETCH #10A
SHEET 10AP1

**NOT FOR NEW CONSTRUCTION AFTER 5/1/2006
FOR TEMPORARY SERVICE.**

**REQUIRED APPROVAL FROM SUPERVISOR
METERING SERVICE**



RULES FOR ELECTRIC METER AND SERVICE
INSTALLATIONS
PPL ELECTRIC UTILITIES
CORPORATION

Rules: 4, 4A, 5, 15
Date: 8/13/07 Engr: MDB
REMSL_S010AP1_R1.dwg

SKETCH #10A

SHEET 10AP2

Service Drop Attachment and Instrument Transformer
Mounting on Customer-Owned Service and Meter Pole
Overhead Service to Overhead Distribution
Single Phase, 3 Wire, 120/208 V or
3 Wire 120/240 V Service Over 600 A
Instrument Transformer Metering

SKETCH #10A

SHEET 10AP2

CUSTOMER FURNISHES, INSTALLS, MAINTAINS:

1. SERVICE ENTRANCE CONDUCTORS. SEE RULE 5.
2. 1-1/4 INCH MINIMUM THREADED, GALVANIZED, RIGID STEEL OR GRAY SCHEDULE 40 PVC CONDUIT AND FITTINGS BETWEEN INSTRUMENT TRANSFORMERS AND METER BASE.
3. GROUND CLAMPS.
4. WOOD POLE (CLASS 5 MIN., SEE SKETCH #47) OR EQUIVALENT.
5. SERVICE DISCONNECT EQUIPMENT
6. SERVICE GROUND MUST BE SIZED & PROTECTED PER NEC ARTICLE 250 - GROUNDING.
7. GUYING WHEN REQUIRED TO OFFSET PULL OF PPL EU'S SERVICE DROP OR CUSTOMER'S OVERHEAD DISTRIBUTION WIRES.

PPL EU FURNISHES, MAINTAINS; CUSTOMER INSTALLS:

8. ANCHOR BOLTS AND SERVICE RACK.
9. METER PANEL
10. INSTRUMENT TRANSFORMERS AND MOUNTING

PPL EU FURNISHES, INSTALLS, MAINTAINS:

11. SERVICE DROP AND MAKES CONNECTION TO CUSTOMER'S SERVICE ENTRANCE CONDUCTORS. MAXIMUM TENSION PER CONDUCTOR - 800 LBS.
12. WIRING BETWEEN INSTRUMENT TRANSFORMERS AND METER BASE.

NOTES:

- A. PPL EU MAKES GROUNDING CONNECTION FOR METAL CONDUIT.
- B. SEE RULE 4 AND 4A FOR CLEARANCES.

RULES FOR ELECTRIC METER AND SERVICE
INSTALLATIONS
**PPL ELECTRIC UTILITIES
CORPORATION**

Rules: 4, 4A, 5, 15

REMSI_S010AP2_R1.dwg

Date: 8/13/07 **Engr:** MDB