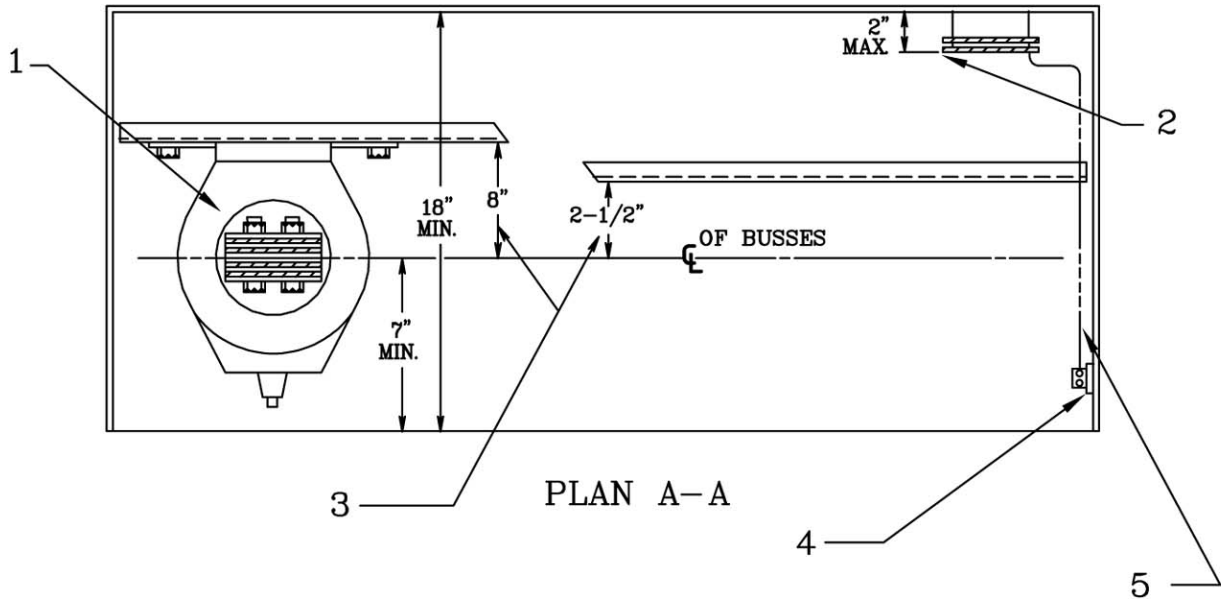


Typical Arrangement of Instrument Transformers in
Switchgear Cubicle
3 Phase, 4 Wire, 208Y/120 V or
3 Phase, 4 Wire, Delta 240/120 V



1. 400 TO 4000 AMPERE CURRENT TRANSFORMER.
2. GROUNDED NEUTRAL BUS.
3. SUPPORT ADJUSTABLE FROM 2-1/2 INCHES MIN. TO 8 INCHES MAX.
4. TERMINAL BLOCK BY CUSTOMER FOR METERING GROUND INSULATED FROM CUBICLE BLOCK TO ACCOMMODATE 2-#6 & 5-#10 STRANDED COPPER CONDUCTORS.
5. GROUND WIRE BY CUSTOMER 600V COVERED COPPER, #6 AWG MIN. CONNECTED BETWEEN NEUTRAL BUS & TERMINAL BLOCK.

*REFERENCE CRS 6-19-100

RULES FOR ELECTRIC METER AND SERVICE
INSTALLATIONS
**PPL ELECTRIC UTILITIES
CORPORATION**

Rules: 5, 15

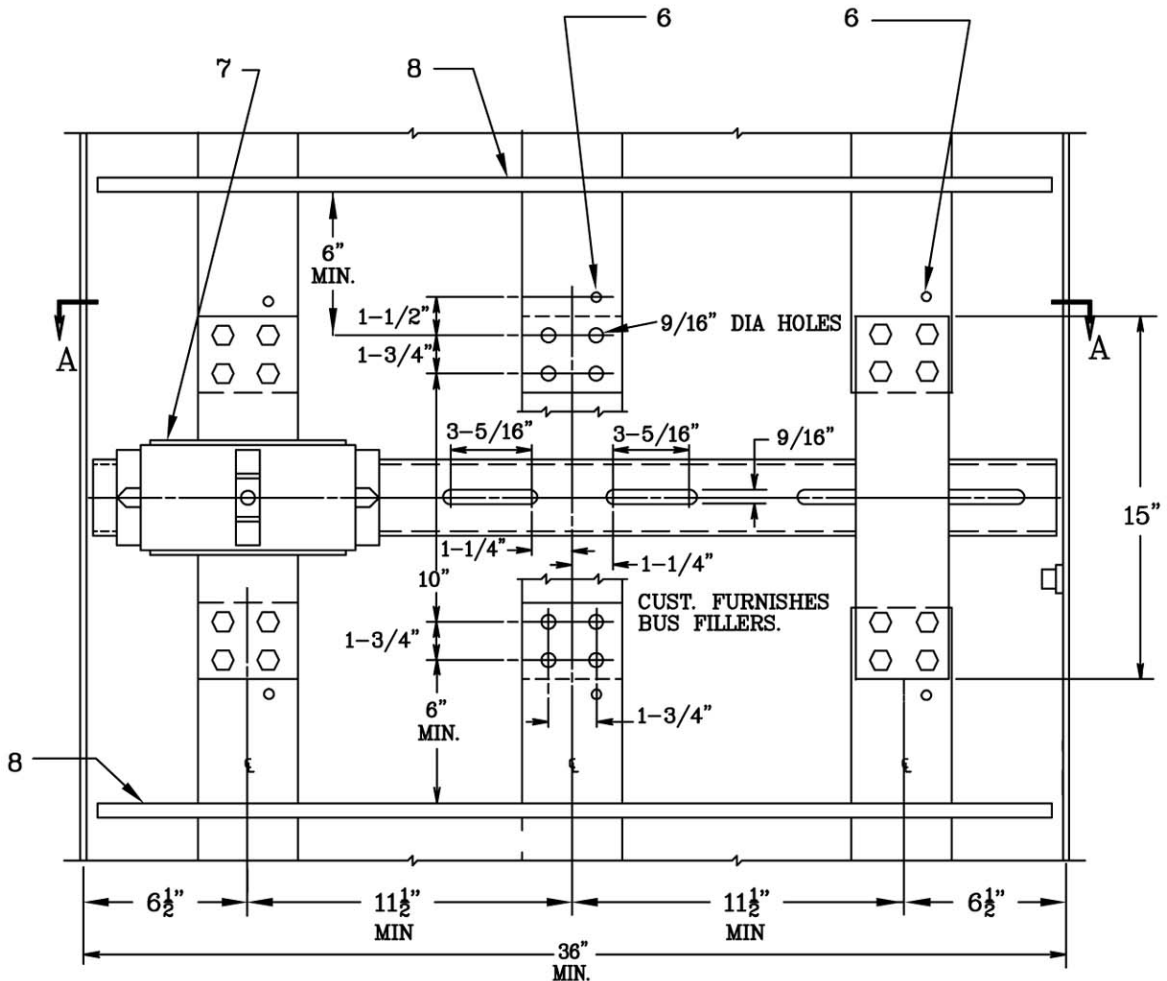
REMSI_S021P1.dwg

Date: 6/24/09 **Engr:** MDB

Typical Arrangement of Instrument Transformers in
Switchgear Cubicle
3 Phase, 4 Wire, 208Y/120 V or
3 Phase, 4 Wire, Delta 240/120 V

SKETCH #21
SHEET 2 of 2

SKETCH #21
SHEET 2 of 2



6. PROVIDE 1/4 INCH BY 20 TAPPED HOLE & SCREW FOR METER WIRING ONNECTION ON EACH BUS
7. CURRENT TRANSFORMERS FURNISHED AND MAINTAINED BY PPL EU AND INSTALLED BY CUSTOMER.
8. FULLY INSULATED BARRIER.
9. MINIMUM CLEAR VERTICAL DISTANCE BETWEEN THE BOTTOMOF THE BUS BAR TO THE BOTTOM OF THE CABINET 48".
10. MAXIMUM CONDUIT HEIGHT IS 3".
11. FRONT VIEW THROUGH ACCESS OPENING WHEN FLAT OF BUS FACES OPENING. 3 C.T.'S REQUIRED - 1 CT SHOWN. (BUS CAN BE ROTATED 90°)
12. FOR 3 PHASE, 4 WIRE DELTA CONNECTED SERVICE, IDENTIFY PHASE CONDUCTOR WITH THE HIGHER VOLTAGE TO GROUND. SEE RULE 5 (h).
13. FOR TERMINATION COMPARTMENT DETAILS, SEE - APPROVED SWITCHGEAR METERING AND TERMINATION COMPARTMENTS TABLE 1

*REFERENCE CRS 6-19-100

RULES FOR ELECTRIC METER AND SERVICE
INSTALLATIONS
**PPL ELECTRIC UTILITIES
CORPORATION**

Rules: 5, 15

REMSI_S021P2.dwg

Date: 6/24/09 **Engr:** MDB