

SKETCH #35  
SHEET 1 of 2

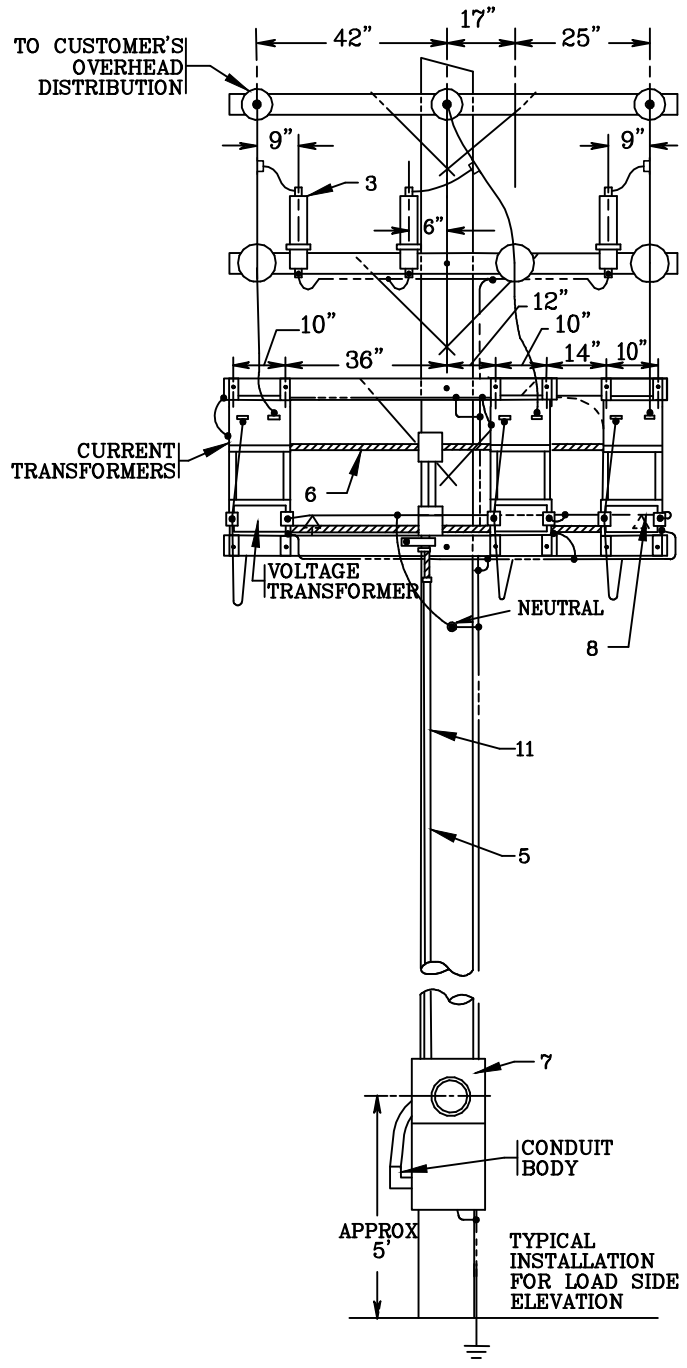
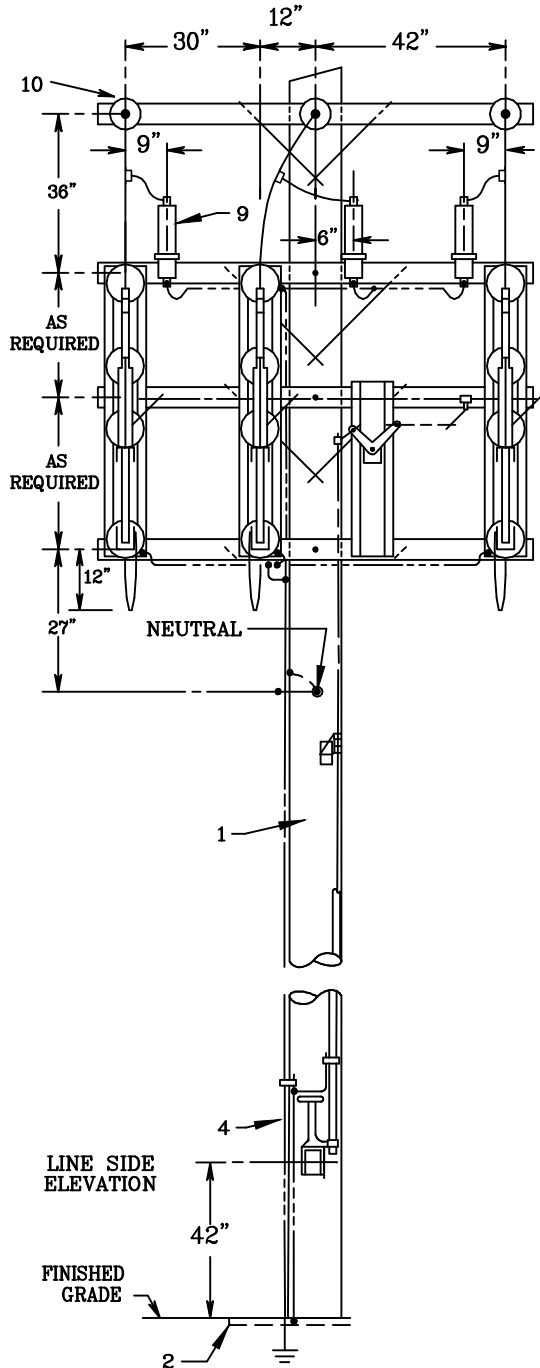
Arrangement of Customer's Equipment and Outdoor Metering  
Equipment on Customer-Owned Service & Meter Pole  
Overhead Service Drop to Overhead Distribution Only  
15KV or Less (Non-Typical Design)

SKETCH #35  
SHEET 1 of 2

**Requires Approval by Supervisor of Metering Services**

NOT TO SCALE

<u>VOLTAGE:</u> 3 Phase, 4 Wire WYE 7,200/12,470V	<u>SERVICE TYPE:</u> Overhead
<u>CUSTOMER LOAD:</u> 4 MVA Maximum	<u>METER BASE LOCATION:</u> Outdoor



\*REFERENCE CRS 6-09-193, LB12669, SKETCH #8C, SKETCH #30, SKETCH #33, SKETCH #47

RULES FOR ELECTRIC METER AND SERVICE  
INSTALLATIONS  
**PPL ELECTRIC UTILITIES  
CORPORATION**

**Rules:** 7, 18  
**Date:** 3/4/14 **Engr:** JCC  
REMSI\_S035.dwg

SKETCH #35	Arrangement of Customer's Equipment and Outdoor Metering Equipment on Customer-Owned Service & Meter Pole Overhead Service Drop to Overhead Distribution Only 15KV or Less (Non-Typical Design)	SKETCH #35
SHEET 2 of 2		SHEET 2 of 2

**Requires Approval by Supervisor of Metering Services**

CUSTOMER FURNISHES, INSTALLS, MAINTAINS:

1. WOOD POLE (CLASS 4 MIN., SEE SKETCH #47), CROSSARMS, HARDWARE, 15KV CLASS FUSED LOAD INTERRUPTER SWITCH, INCIDENTAL EQUIPMENT, AND WIRING.
2. OPERATING PLATFORM AND GROUNDING SYSTEM FOR OPERATING PLATFORM, SWITCH OPERATING LEVER, AND SWITCH BASE.
3. LOAD SIDE LIGHTNING ARRESTERS.
4. SERVICE GROUND - #2 MINIMUM BARE COPPER GROUND WIRE COVERED WITH MOLDING FOR FIRST 8 FEET ABOVE GROUND OR #2 HDPE COVERED GROUND WIRE WITHOUT MOLDING.
5. 1-1/4 INCH MINIMUM THREADED, GALVANIZED, RIGID, INTERMEDIATE STEEL OR SCHEDULE 40 PVC CONDUIT AND FITTINGS BETWEEN 8 INCH BY 8 INCH BY 4 INCH WEATHER TIGHT JUNCTION BOX AND METER PANEL.
6. 1 INCH FLEXIBLE CONDUIT AND FITTINGS BETWEEN TRANSFORMERS AND 8 INCH BY 8 INCH BY 4 INCH WEATHER TIGHT JUNCTION BOX.

PPL EU FURNISHES, MAINTAINS; CUSTOMER INSTALLS:

7. METER PANEL. SEE SKETCH #8C.
8. INSTRUMENT TRANSFORMERS AND MOUNTING STEEL.
9. LINE SIDE LIGHTNING ARRESTERS.

PPL EU FURNISHES, INSTALLS, MAINTAINS:

10. SOURCE SIDE DEADEND INSULATOR ASSEMBLY (MAXIMUM TENSION PER CONDUCTOR - 2000 LBS.) AND CONNECTS SERVICE WIRES TO LINE SIDE TERMINALS OF CUSTOMER'S DISCONNECT.
11. WIRING BETWEEN INSTRUMENT TRANSFORMERS AND METER PANEL.

NOTES:

1. PPL EU'S DISTRIBUTION SYSTEM CAN SUPPORT FUSING UP TO 175E STANDARD SPEED POWER FUSES FOR POINT OF CONTACT APPLICATIONS. IF A 175E FUSE IS INADEQUATE FOR CUSTOMER LOADING, THEN AN ELECTRONIC FUSE OR A GROUP OPERATED TRIPPING DEVICE SUCH AS A RECLOSER OR RELAYED CIRCUIT BREAKER IS REQUIRED.

\*REFERENCE CRS 6-09-193, LB12669, SKETCH #8C, SKETCH #30, SKETCH #33, SKETCH #47

<p align="center">RULES FOR ELECTRIC METER AND SERVICE INSTALLATIONS</p> <p align="center"><b>PPL ELECTRIC UTILITIES CORPORATION</b></p>	<p><b>Rules:</b> 7, 18</p>	REMSI_S035P2.dwg
	<p><b>Date:</b> 3/4/14    <b>Engr:</b> JCC</p>	