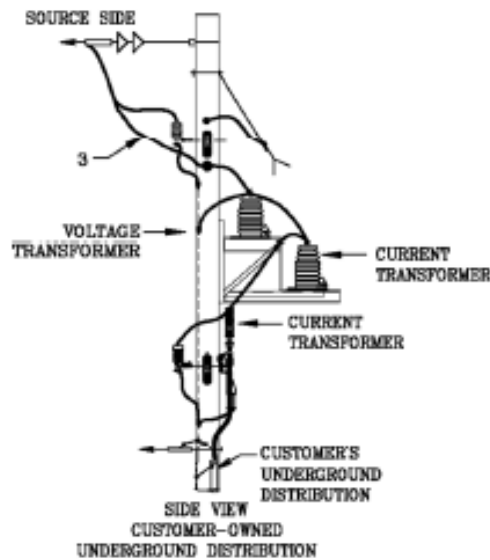
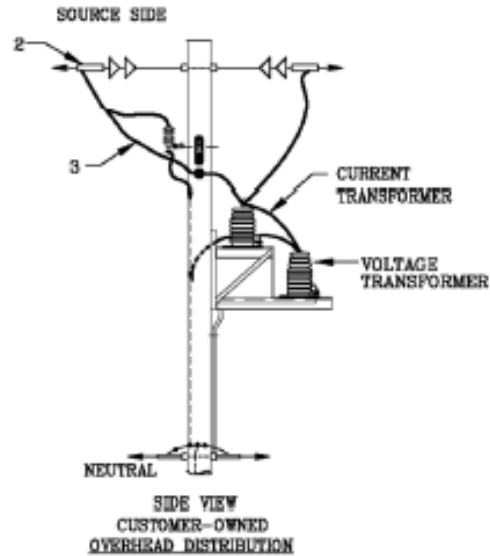
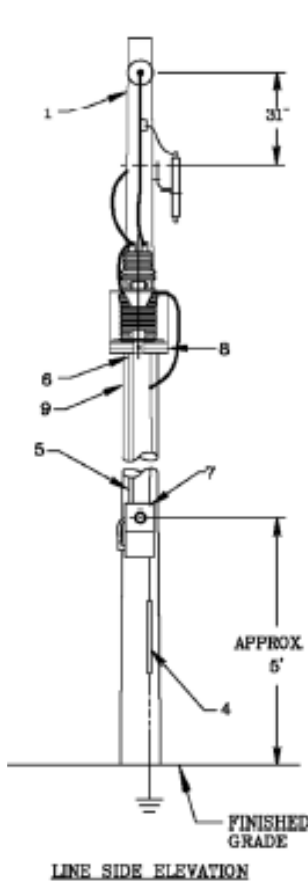


Sketch #90 Typical arrangement of single phase outdoor metering equipment on customer-owned meter pole. 7.2kv or less

<u>Voltage:</u> 1 phase 7200 V	<u>Service Type:</u> Overhead / Underground
<u>Customer Load:</u> 1 MVA Maximum	<u>Meter Base Location:</u> Outdoor



* Reference: CRS 6-09-200, LB12669, Sketch 8C, Sketch 47

REMSI_S090.dwg

RULES FOR ELECTRIC METER AND SERVICE INSTALLATIONS PPL ELECTRIC UTILITIES CORPORATION	Rules: 7, 8, 18 Date: 12/30/2020 Engr: PDP
--	---



**REMSI Sketches 51-100
Sketch #90
6-52**

0000-000-ST-6052
Custom ID: DCS 6-52
Revision: 12
Effective Date: 3/13/2024
Page 79 of 85

Sketch #90 Typical arrangement of single phase outdoor metering equipment on customer-owned meter pole, 7.2kv or less (cont.)

CUSTOMER FURNISHES, INSTALLS, MAINTAINS:

1. Wood pole (class 4 minimum, see sketch 47), incidental equipment, wiring and grounding system, guying.
2. Overhead line from disconnect on customer-owned service pole, see sketch 32. Maximum allowed tension per conductor – 2000 Lbs.
3. Line and load side lighting arresters.
4. Service ground – sized and protected per NEC article 250 – grounding.
5. 1 1/4 inch minimum, threaded, galvanized, ridged or intermediate steel or schedule 40 PVC conduit and fittings between 8 inch by 8 inch by 4-inch weather tight junction box and meter panel.
6. 1-inch flexible conduit and fittings between transformers and 8 inch by 8 inch by 4 inch transformers and 8 inch by 4 inch weather tight junction box.

PPL ELECTRIC FURNISHES, MAINTAINS; CUSTOMER INSTALLS:

7. Meter panel (see sketch 8C)
8. Instrument transformers and mounting steel.

PPL ELECTRIC FURNISHES, INSTALLS MAINTAINS:

9. Wiring between instrument transformers and meter base

NOTES:

A. Point Of Common Coupling (PCC) is contacted in the PPL ELECTRIC document “Point Of Common Coupling Requirements For High Voltage Customer – Owned Facilities 12 KV Supply”.

* Reference: CRS 6-09-200, LB12669, Sketch 8C, Sketch 47

REMSI_S090P2.dwg

<p>RULES FOR ELECTRIC METER AND SERVICE INSTALLATIONS PPL ELECTRIC UTILITIES CORPORATION</p>	<p>Rules: 7, 8, 18 Date: 12/30/2020 Engr: PDP</p>
---	---